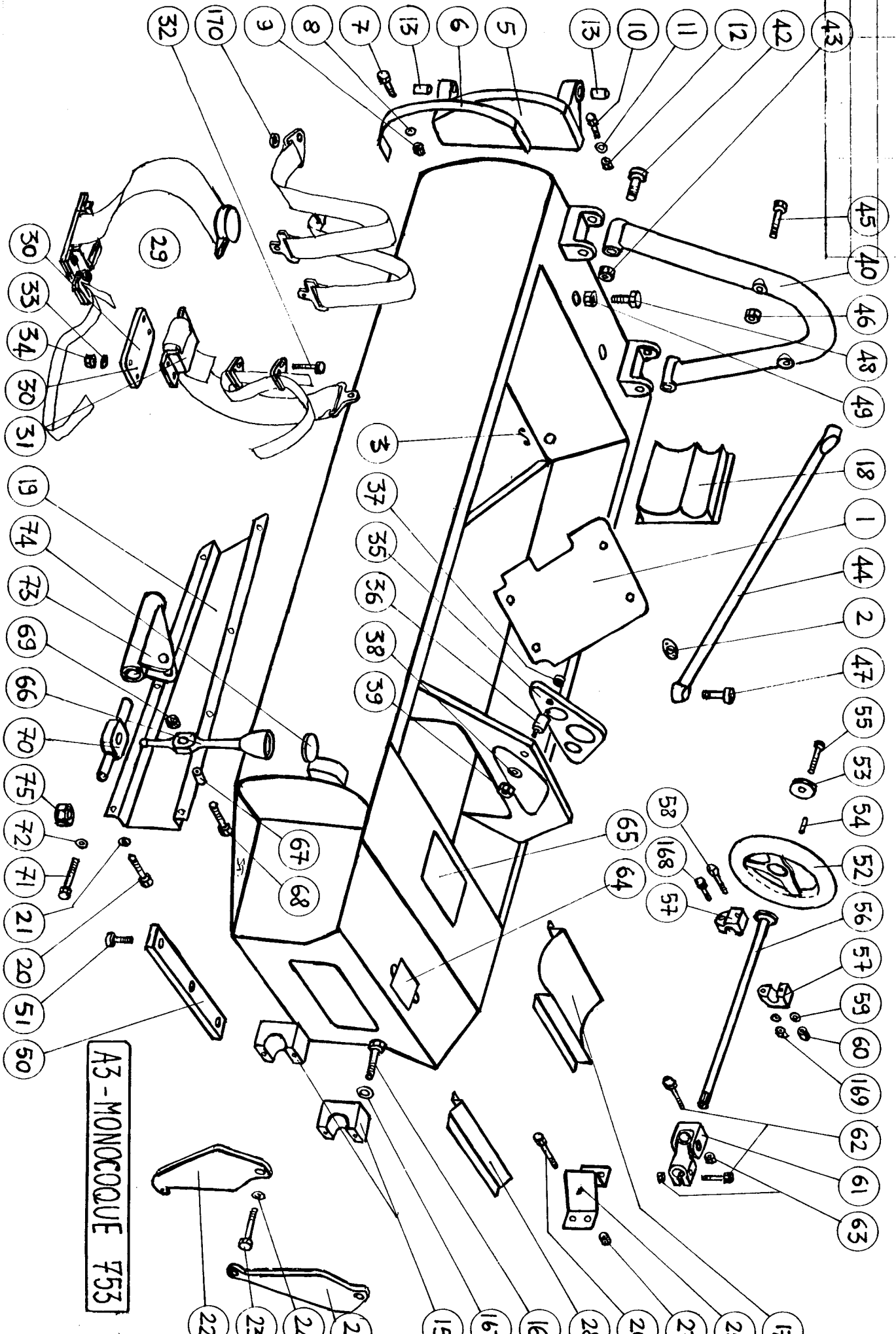
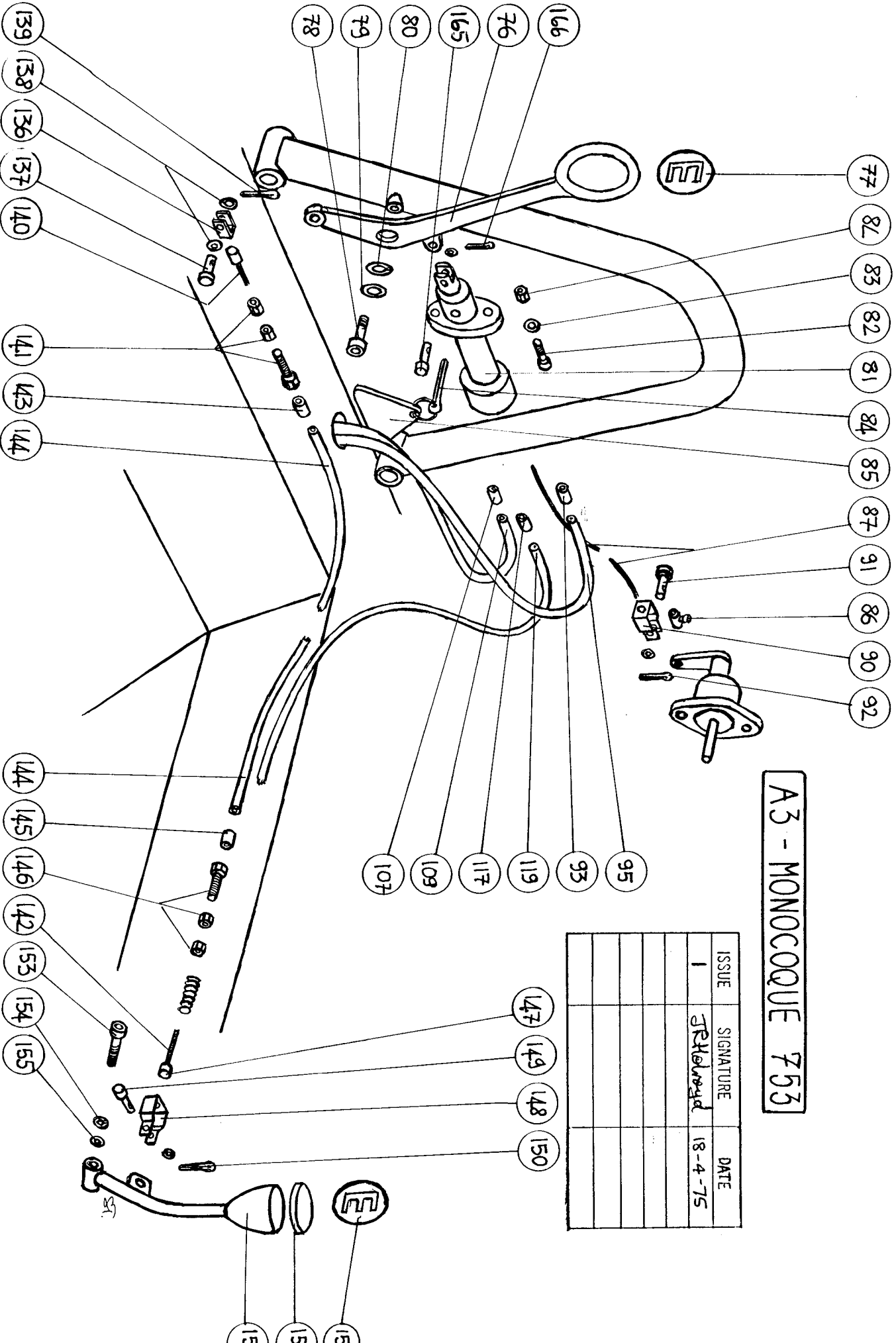


753

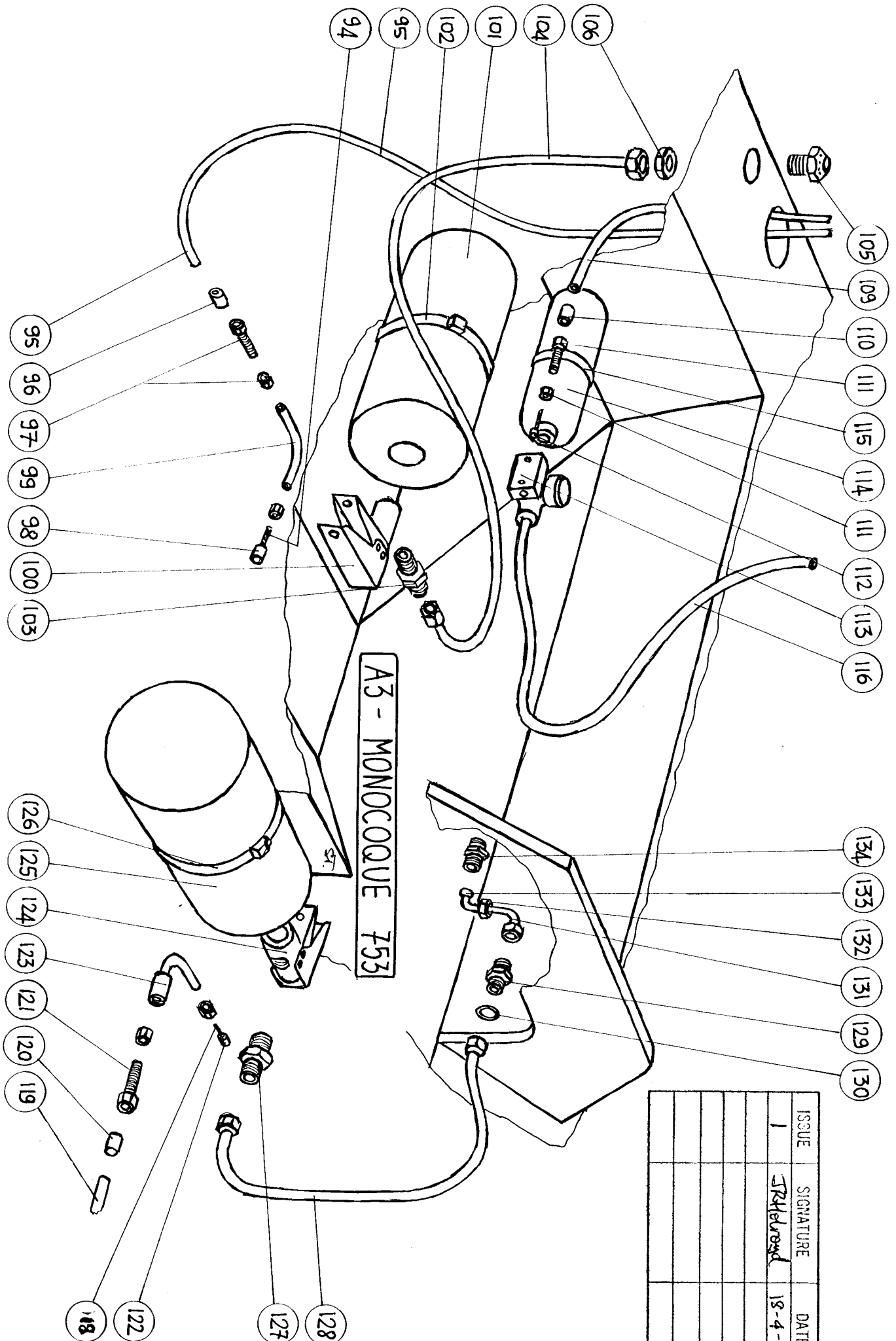


A3-MONOCOQUE 753

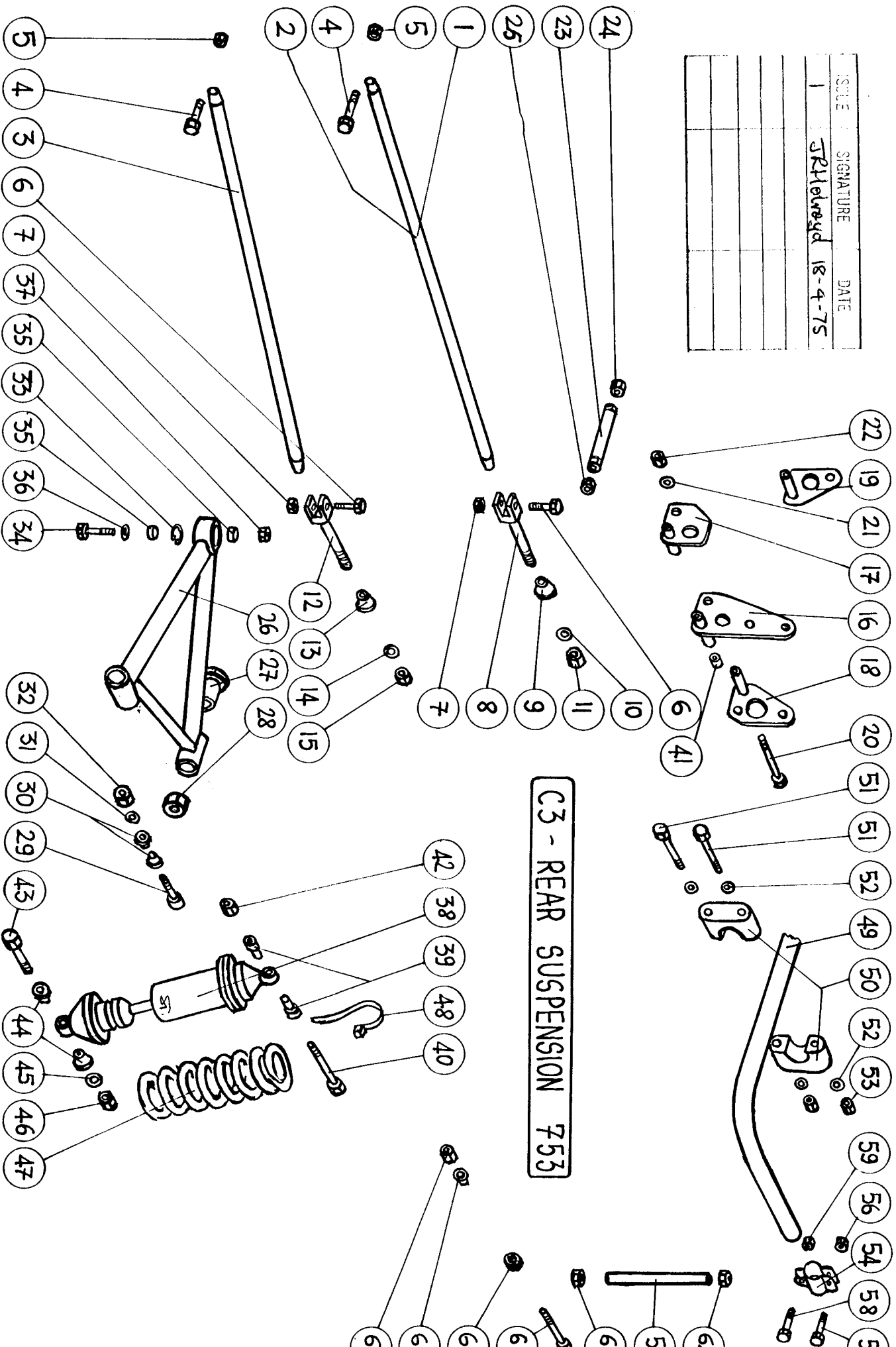


A3 - MONOCOQUE 753

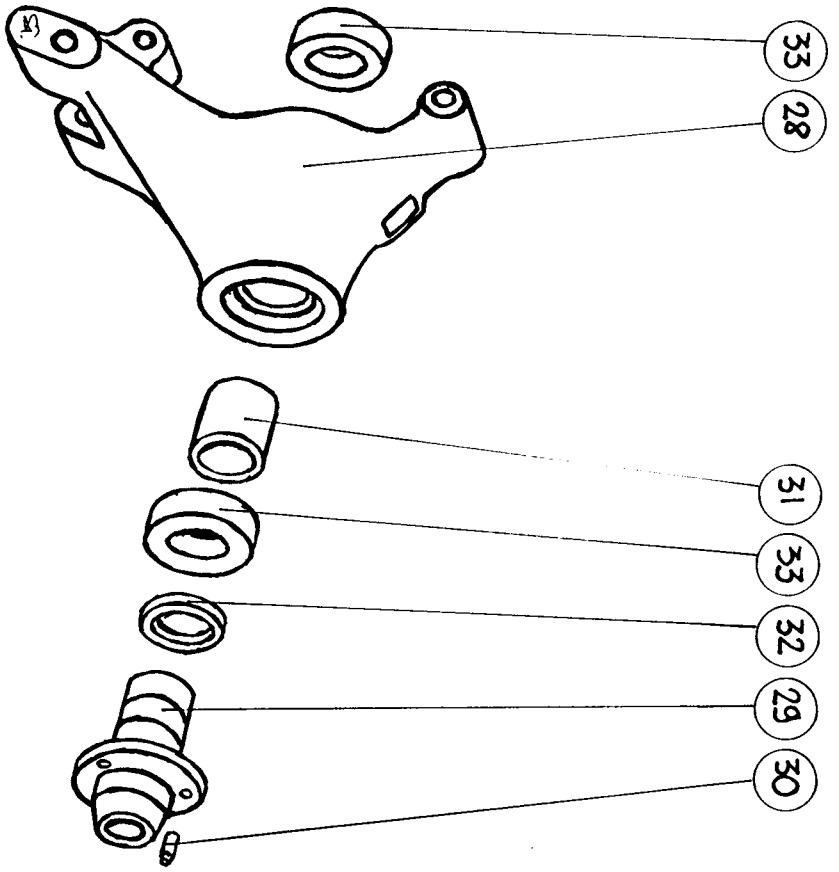
ISSUE	SIGNATURE	DATE
1	J. R. Howard	18-4-75



ISSUE	SIGNATURE	DATE
1	JRH/Edward	18-4-75

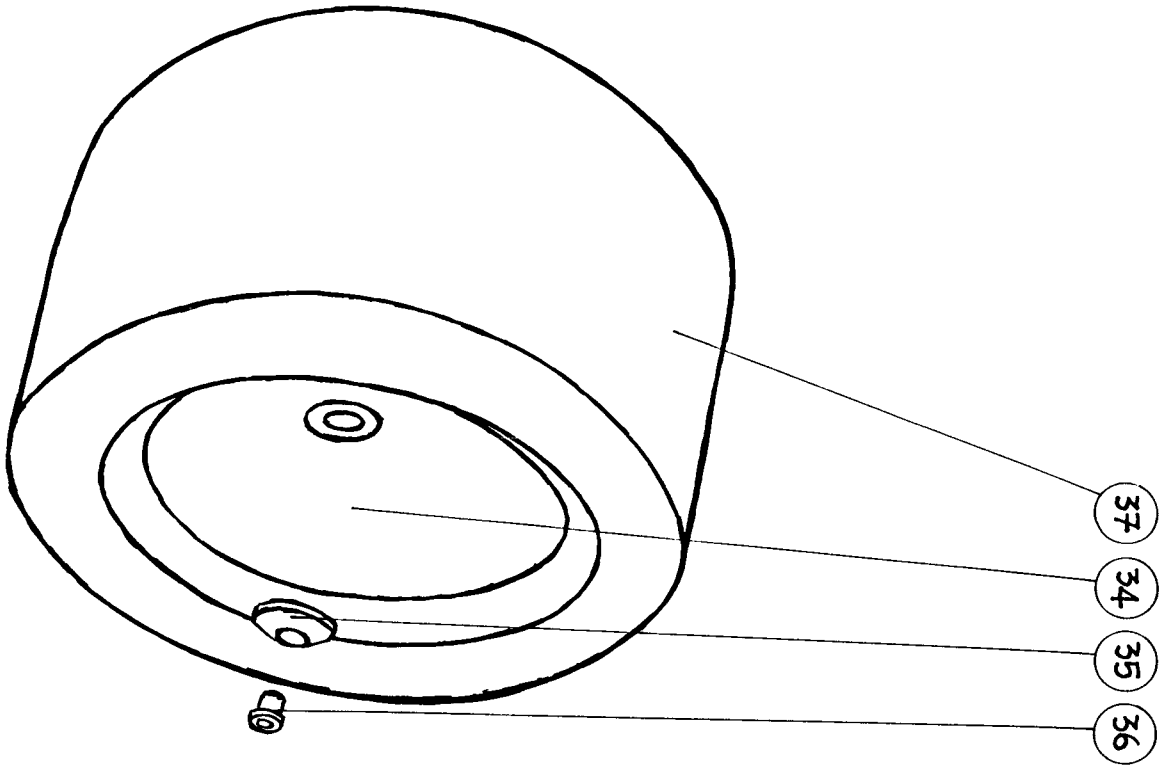


C3 - REAR SUSPENSION 753



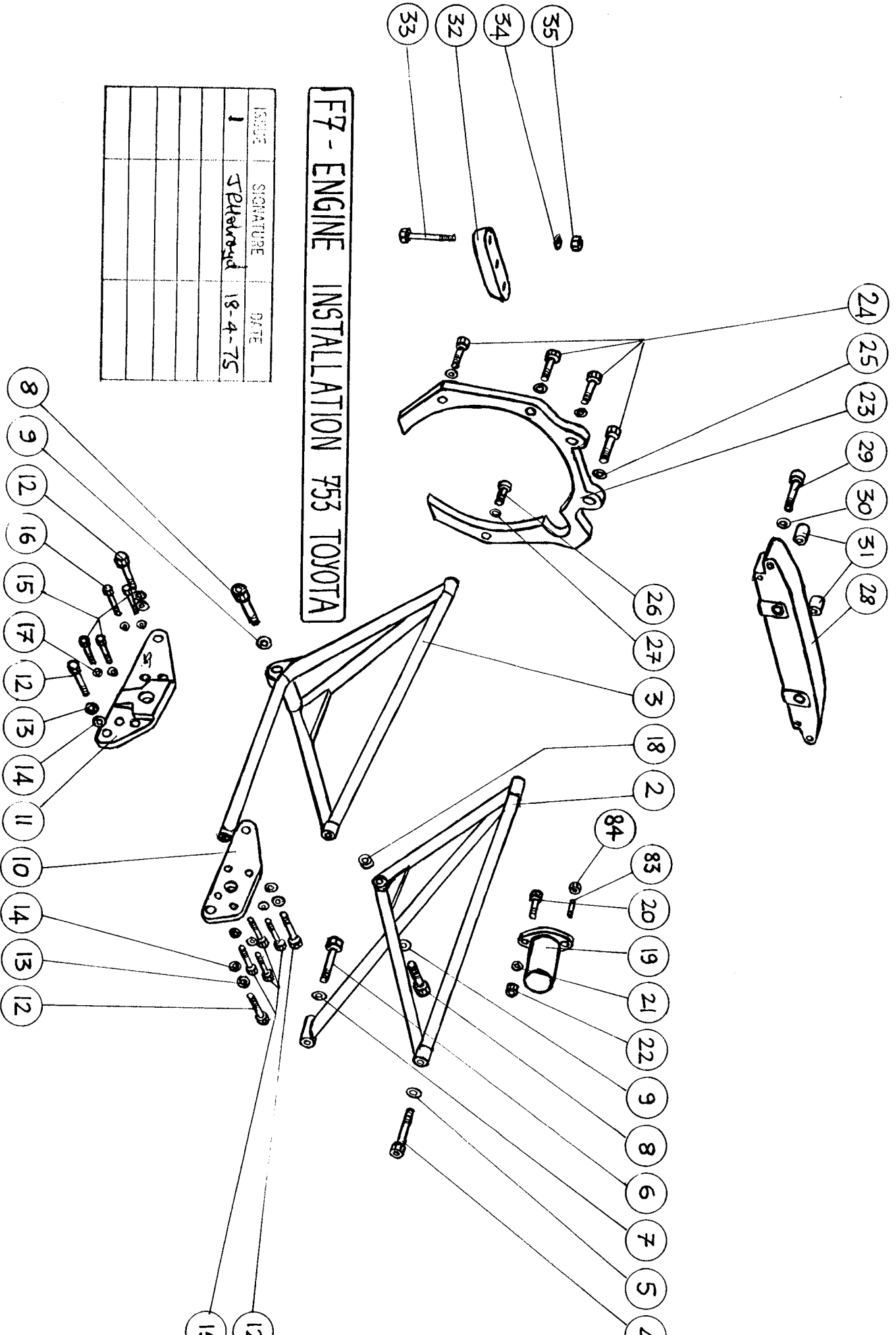
D3 - REAR UPRIGHT 753

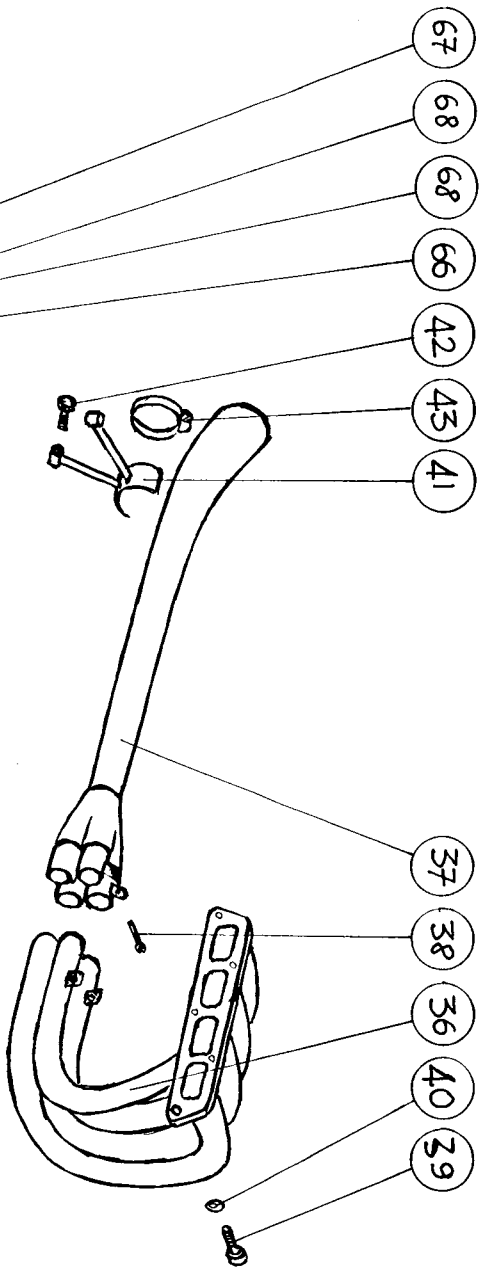
ISSUE	SIGNATURE	DATE
1	J.P. Reynolds	18-4-75



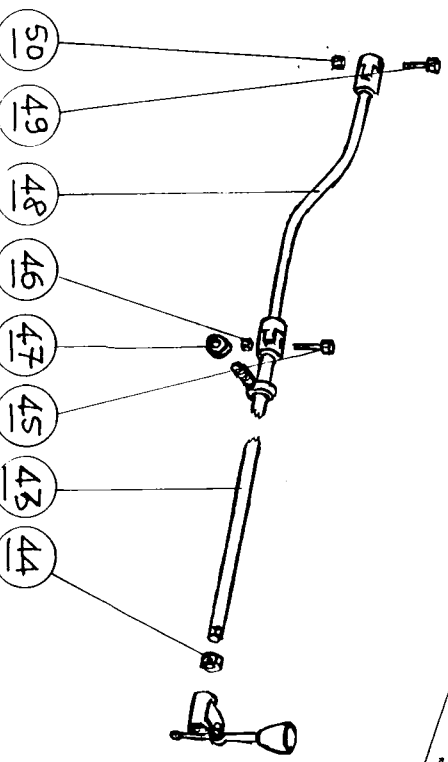
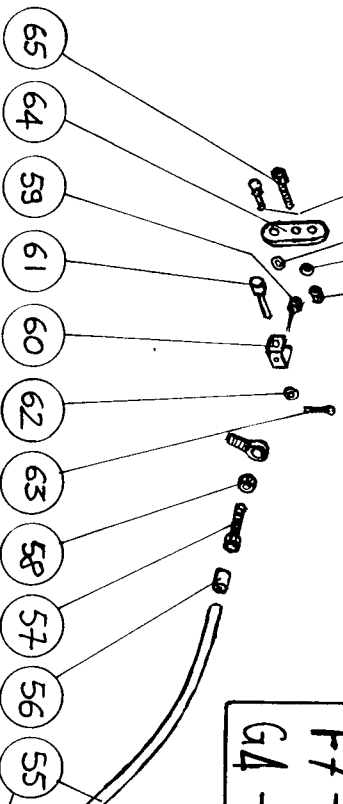
F7 - ENGINE INSTALLATION 753 TOYOTA

ISSUE	SIGNATURE	DATE
1	J. P. Howard	18-4-75

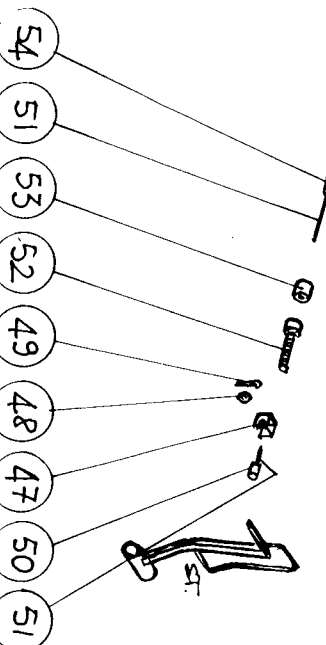




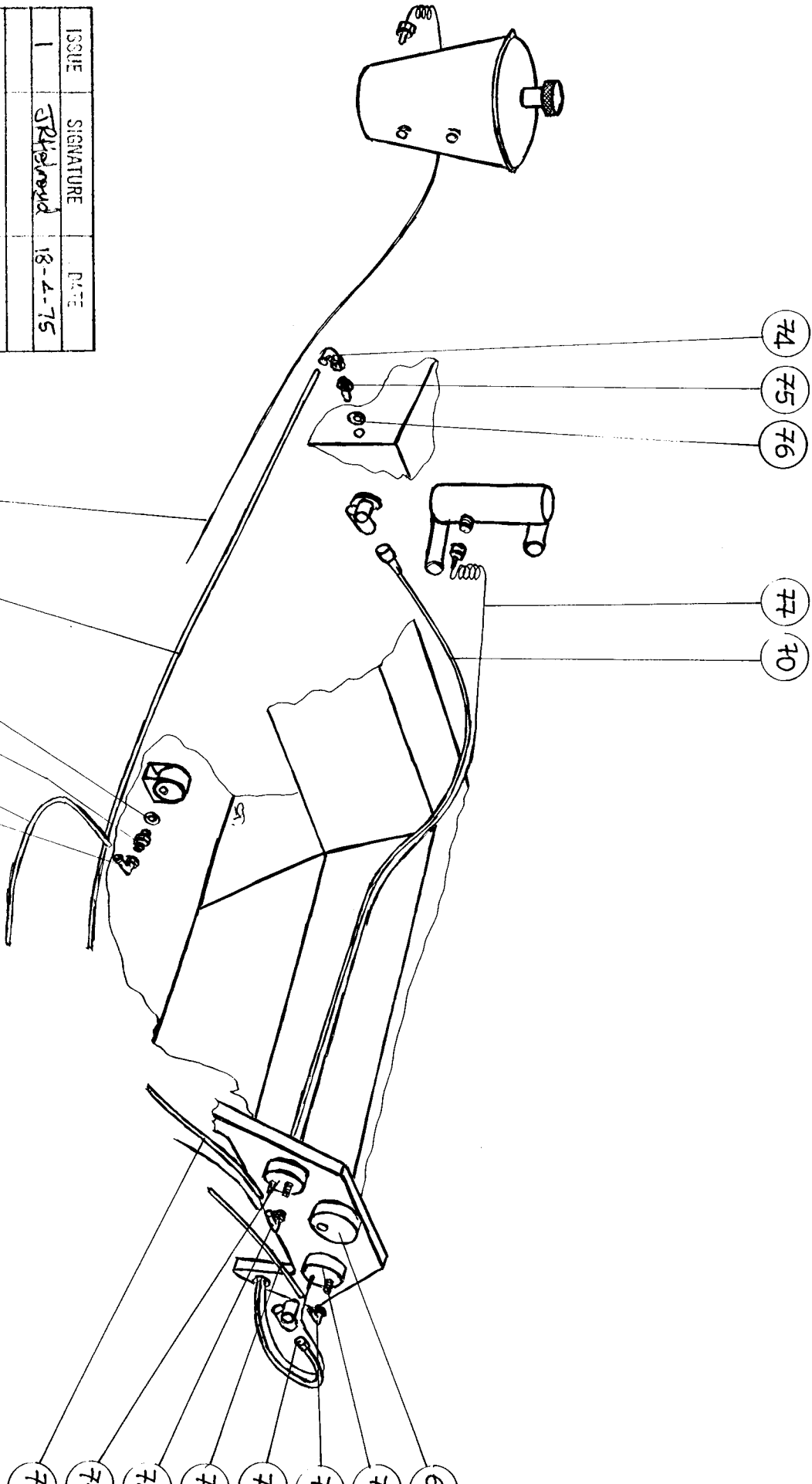
F7 - ENGINE INSTALLATION 753 TOYOTA ○
 G4 - TRANSMISSION 753 TOYOTA ⊖



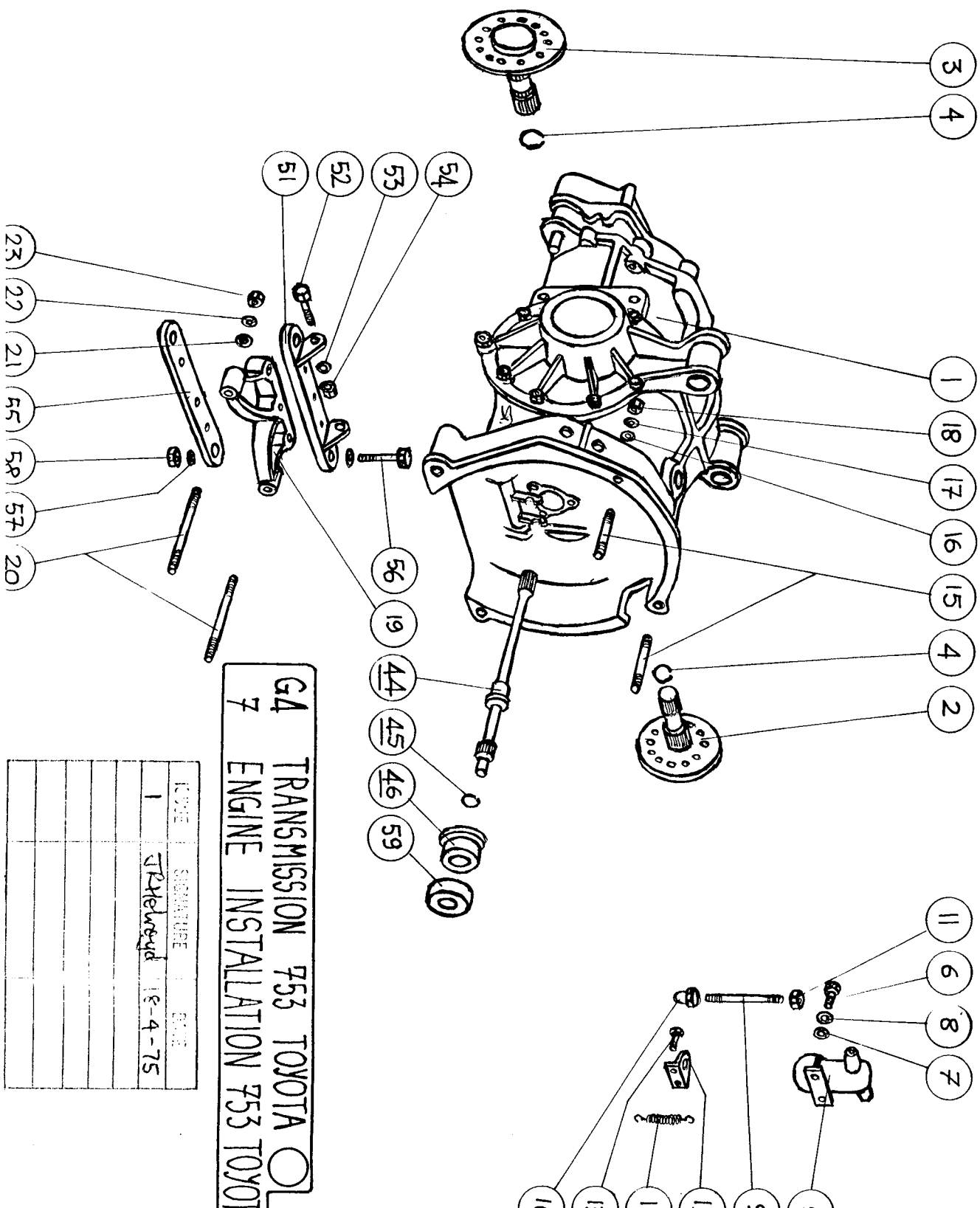
ISSUE	SIGNATURE	DATE
1	<i>Dr. R. Weid</i>	18-4-75



ISSUE	SIGNATURE	DATE
1	JRH/Howard	18-2-75

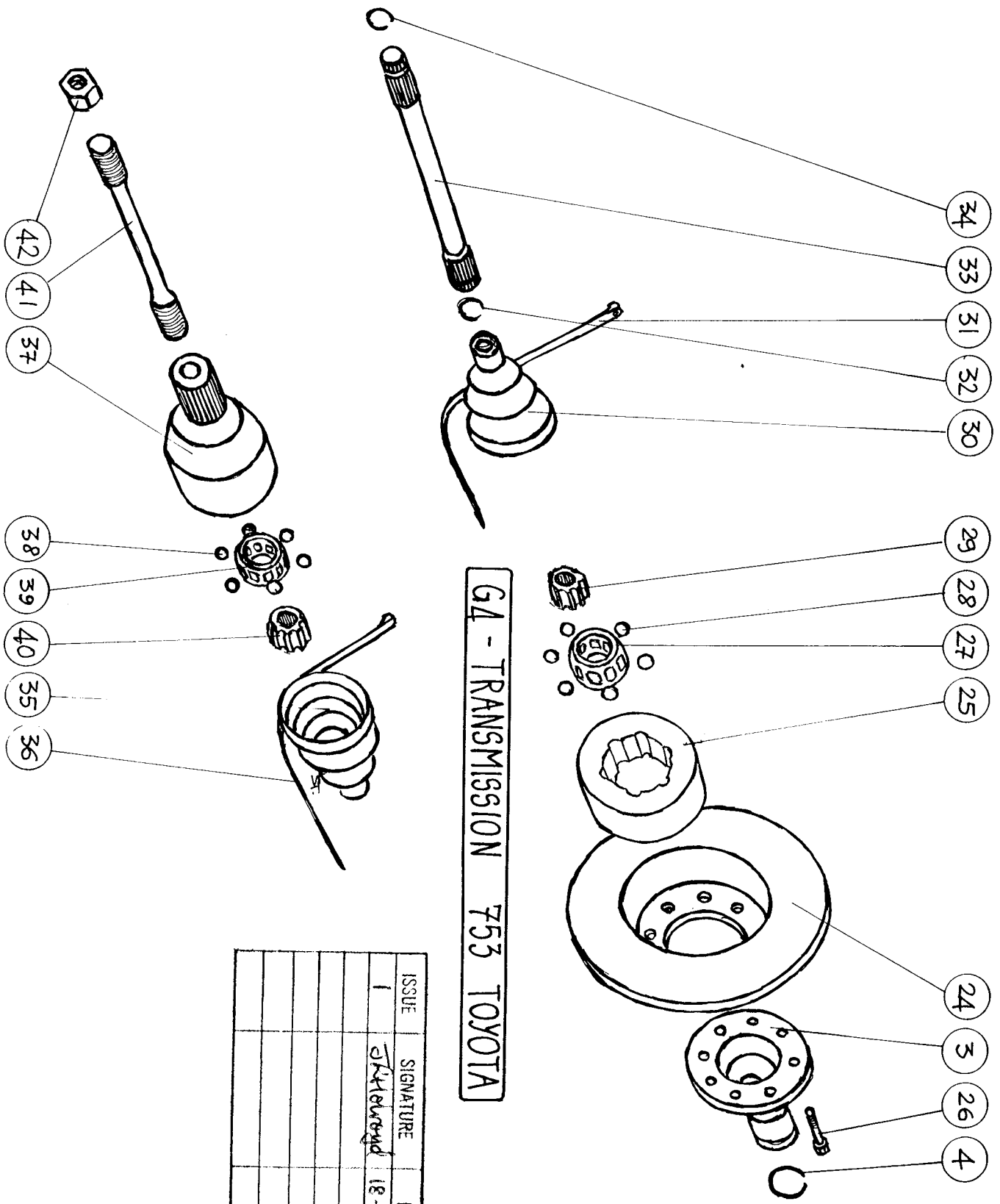


F7 ENGINE INSTALLATION 753 TOYOTA



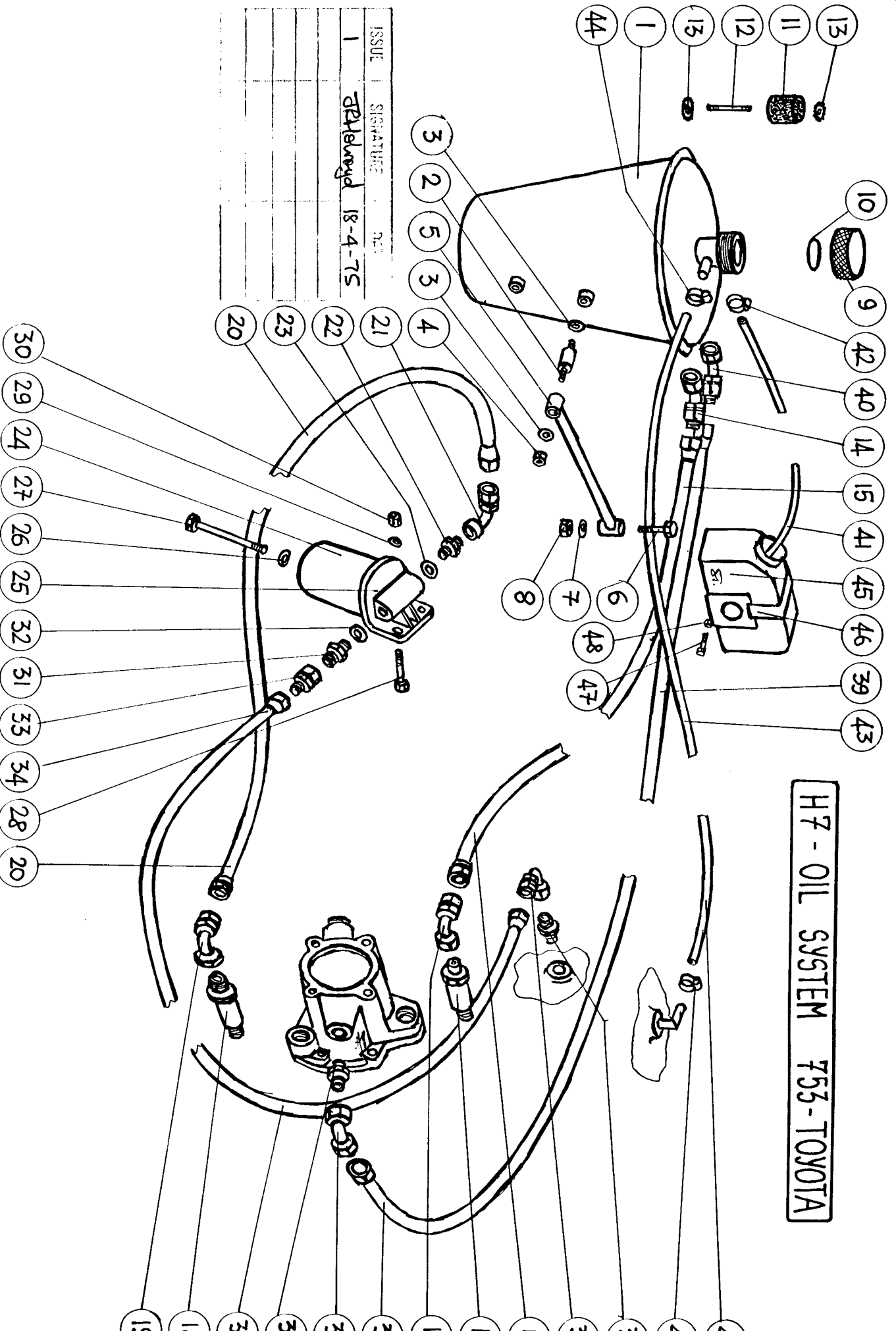
G4 TRANSMISSION 753 TOYOTA
 7 ENGINE INSTALLATION 753 TOYOTA

NO.	SIGNATURE	DATE
1	J. R. H. W. E. G. D.	12-4-75



ISSUE	SIGNATURE	DATE
1	<i>OKlenwald</i>	18-4-75

H7 - OIL SYSTEM 753-TOYOTA



ISSUE: 1
 SIGNATURE: [Signature]
 DATE: 18-4-75

- 30
- 29
- 24
- 27
- 26
- 25
- 32
- 31
- 33
- 34
- 28
- 20

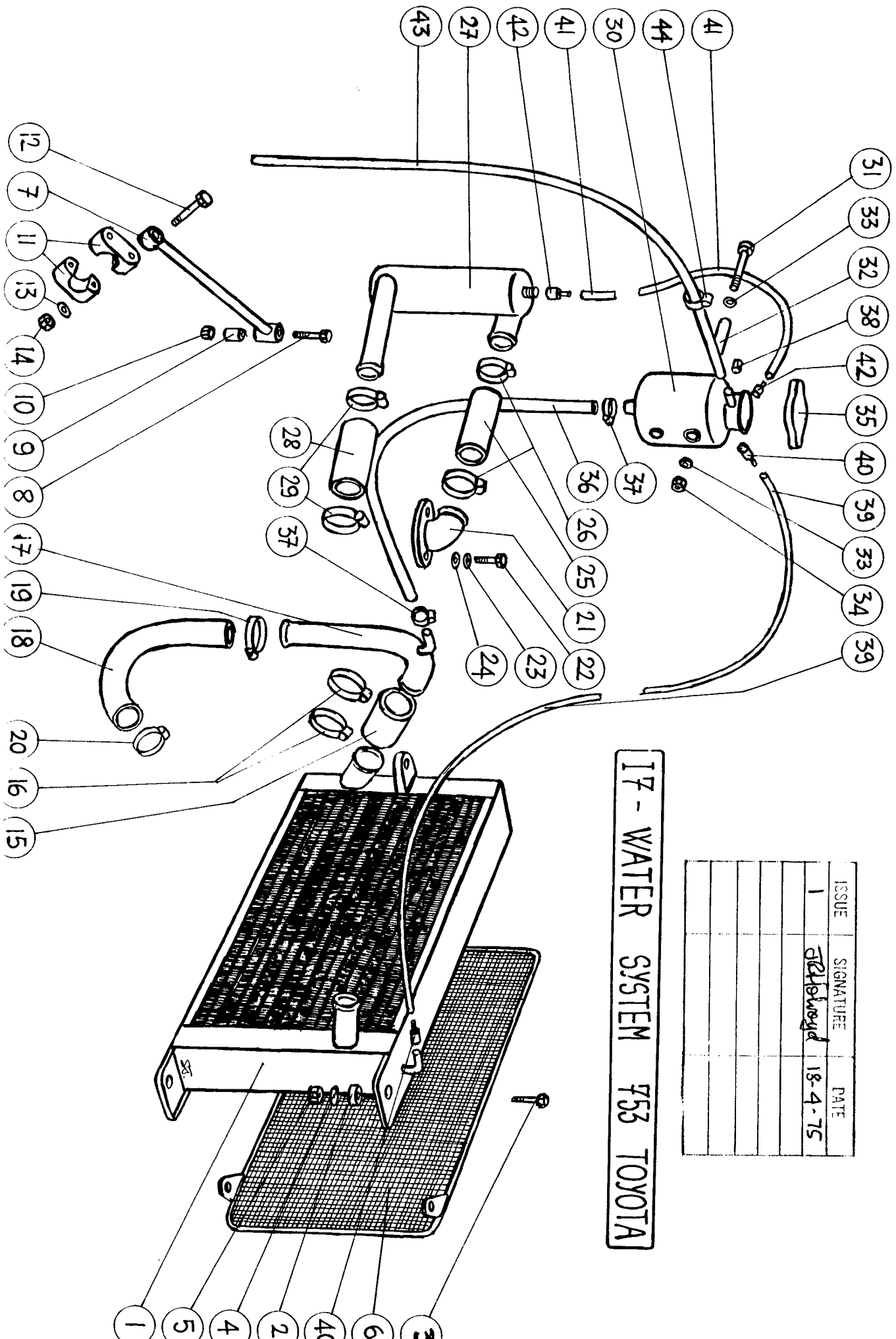
- 3
- 2
- 5
- 3
- 4

- 44
- 1
- 13
- 12
- 11
- 13

- 10
- 9
- 42
- 40
- 14
- 15
- 41
- 45
- 46
- 39
- 43

- 8
- 7
- 6
- 48
- 47

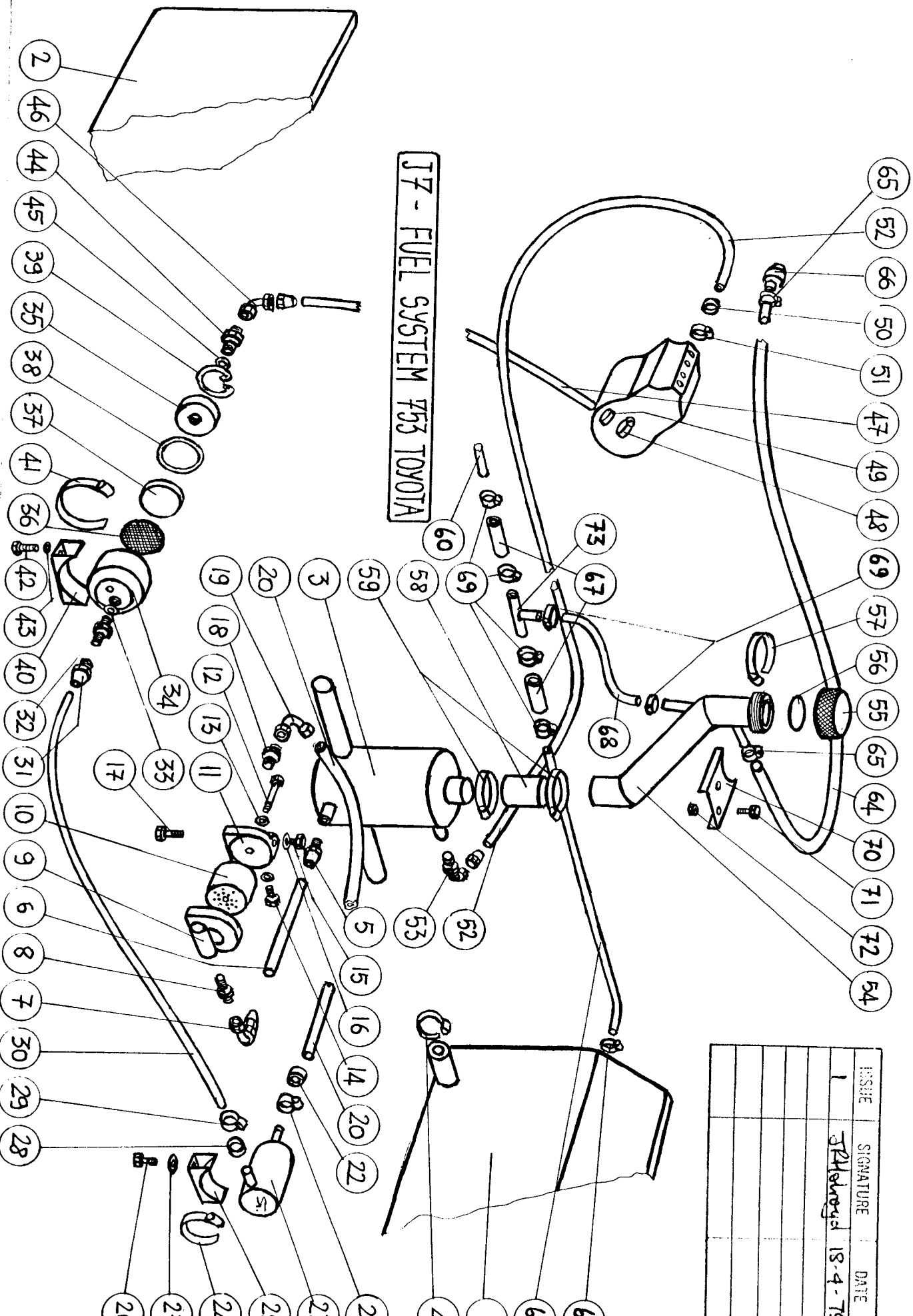
- 19
- 18
- 36
- 35
- 33
- 33
- 33
- 16
- 16
- 11
- 3
- 3
- 4
- 4



17 - WATER SYSTEM 753 TOYOTA

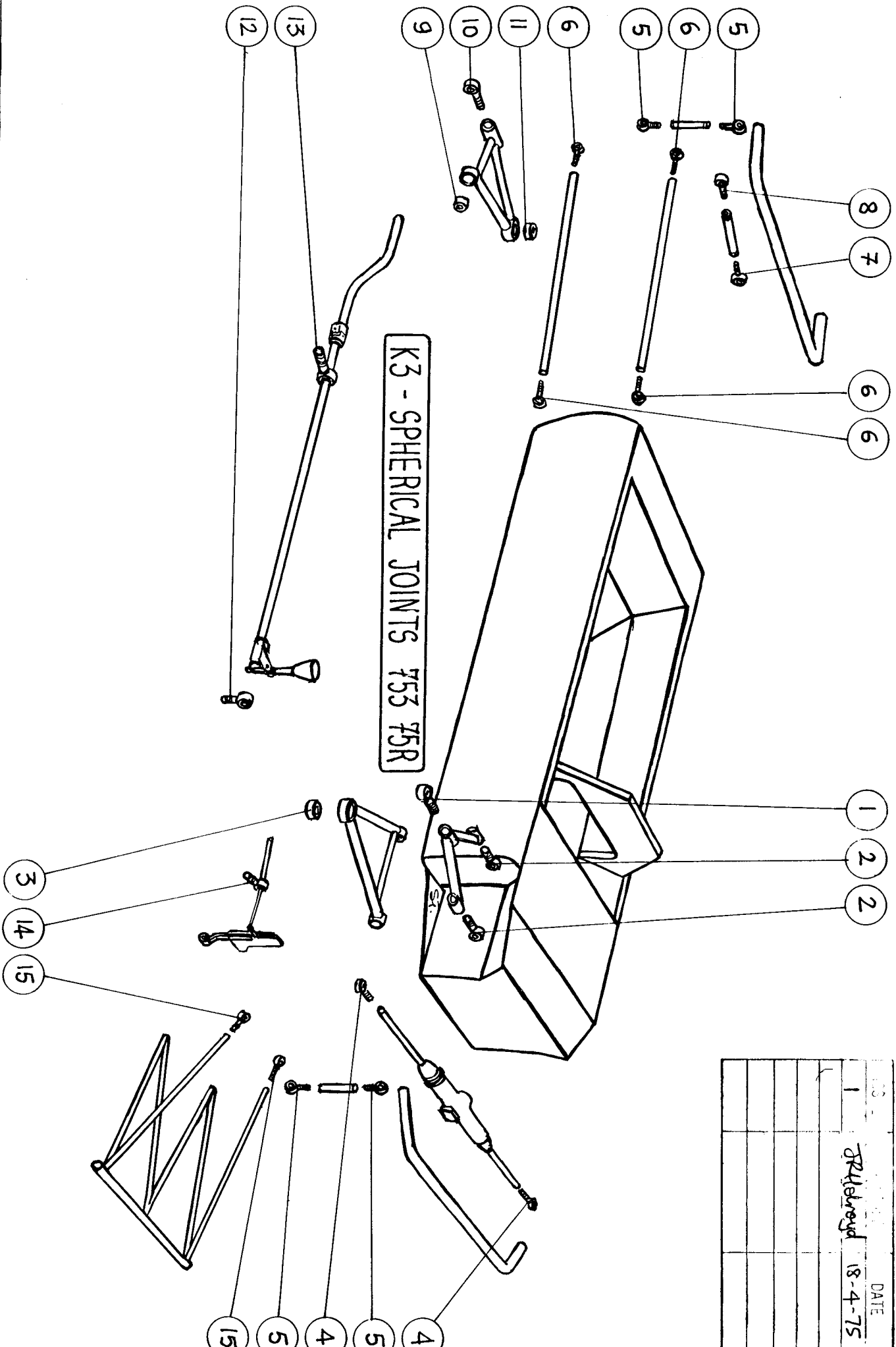
ISSUE	SIGNATURE	DATE
1	<i>Delbert Boyd</i>	18-4-75

J7 - FUEL SYSTEM 753 TOYOTA



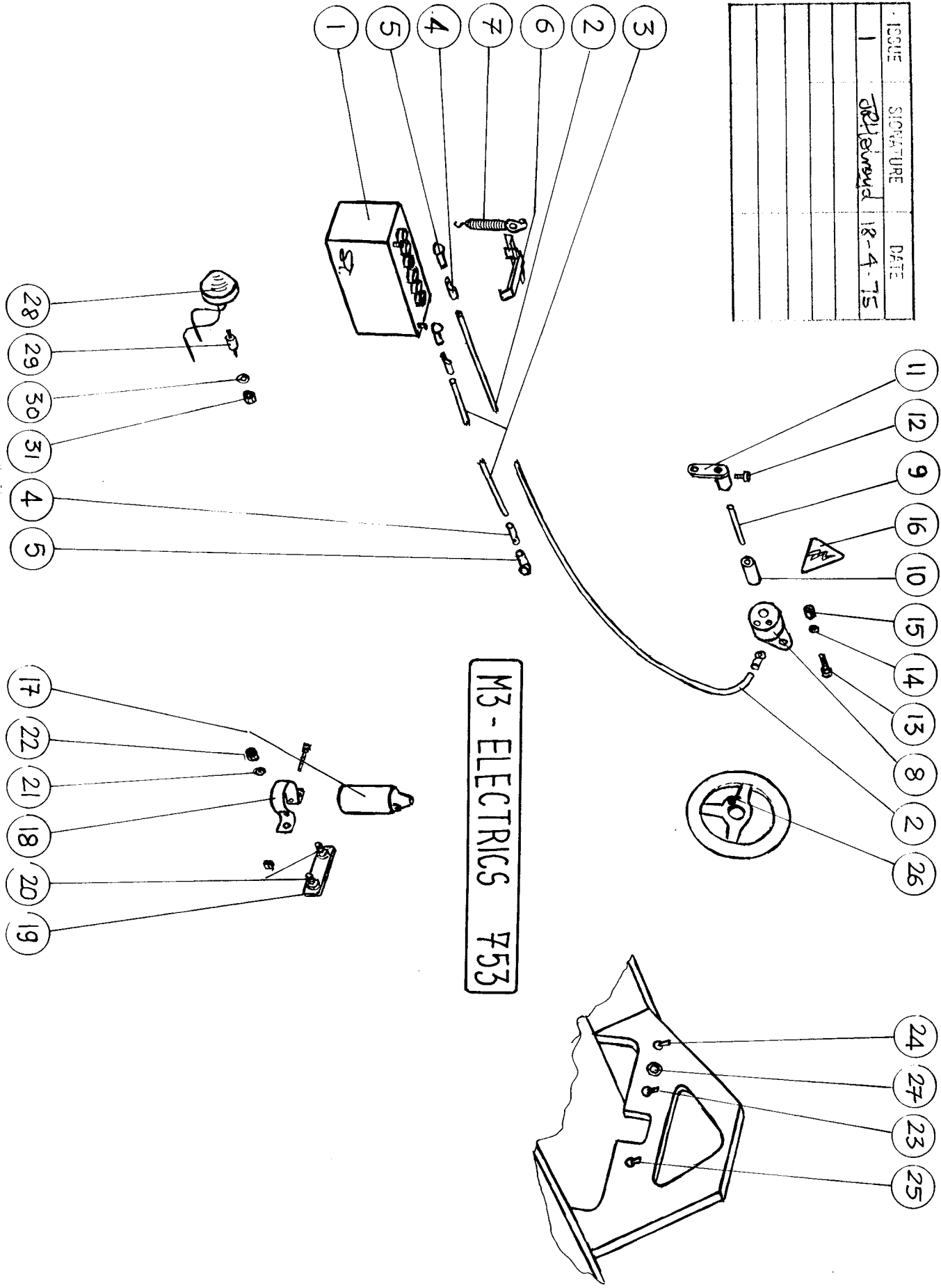
ISSUE	SIGNATURE	DATE
1	JPH	18-4-75

K3 - SPHERICAL JOINTS 753 75R



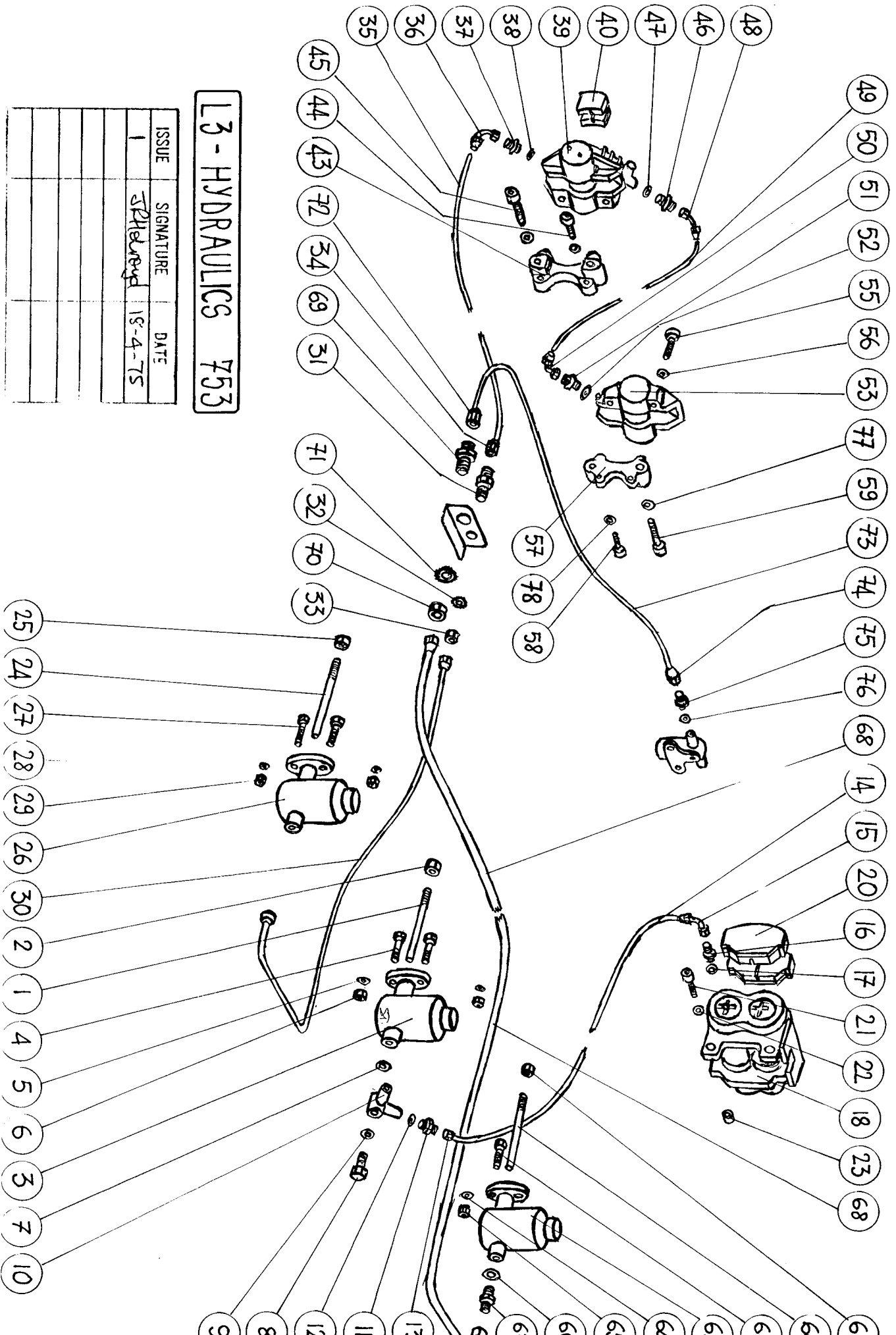
1	DATE
1	18-4-75

ISSUE	SIGNATURE	DATE
1	D.P. Arnold	18-4-75



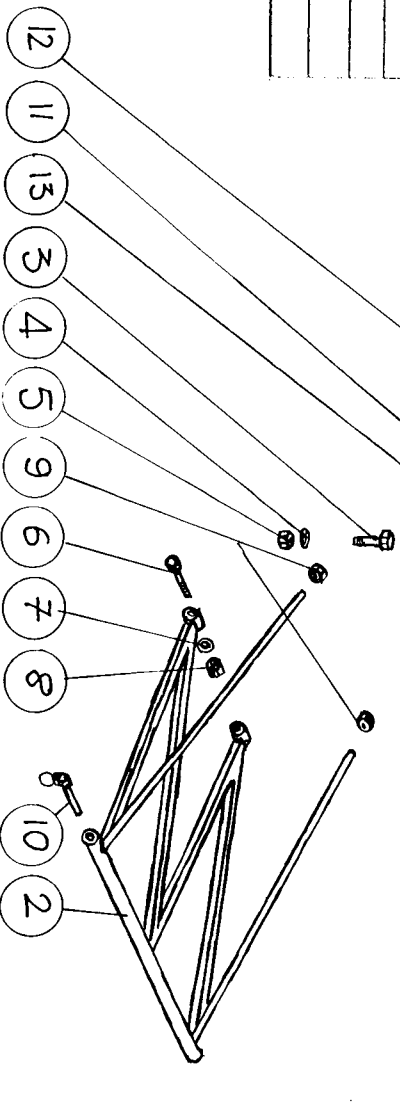
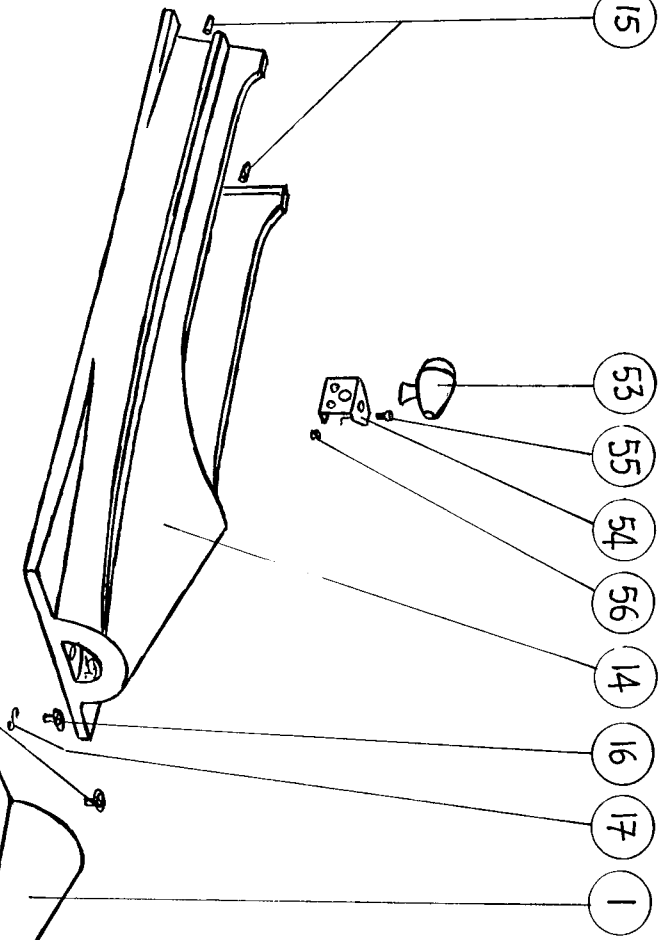
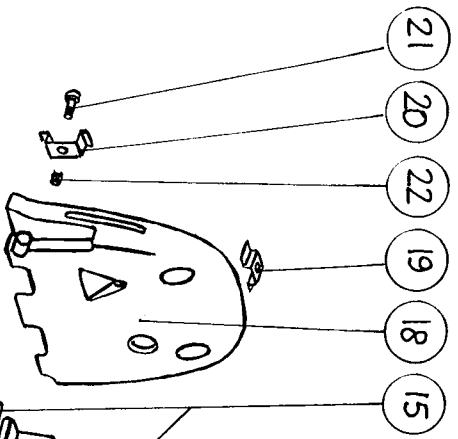
L3 - HYDRAULICS 753

ISSUE	SIGNATURE	DATE
1	SPHEDWYD	15-4-75

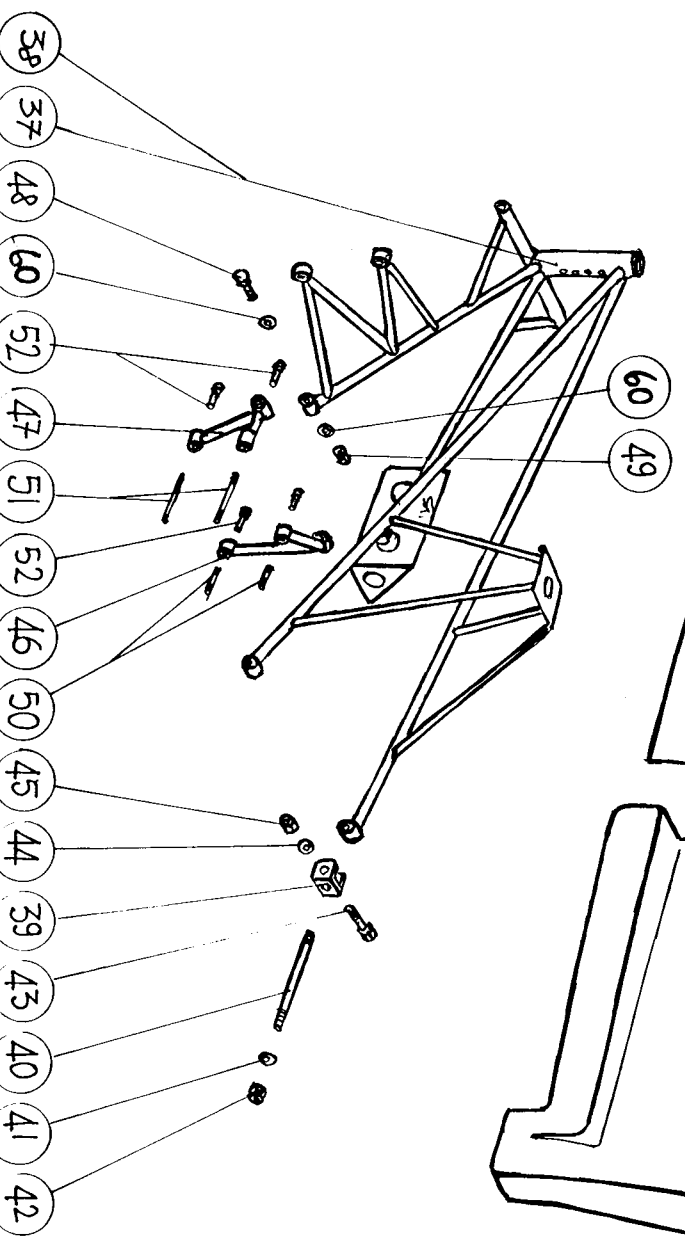
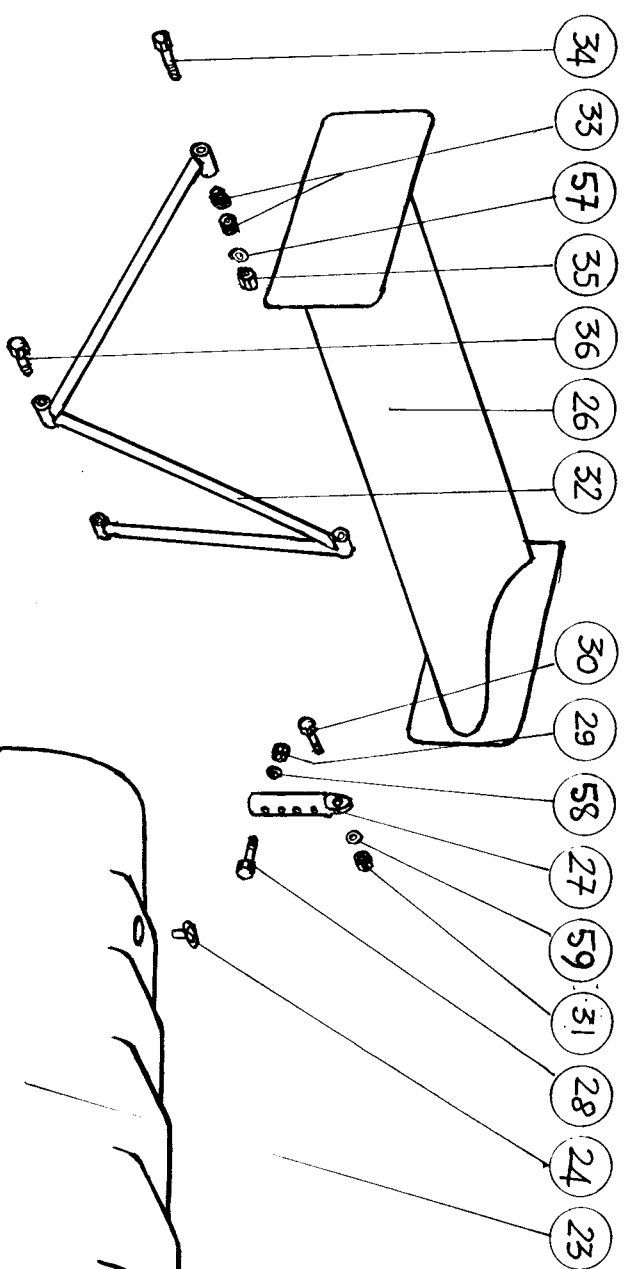


N3 - BODYWORK, WINGS, ETC. 753

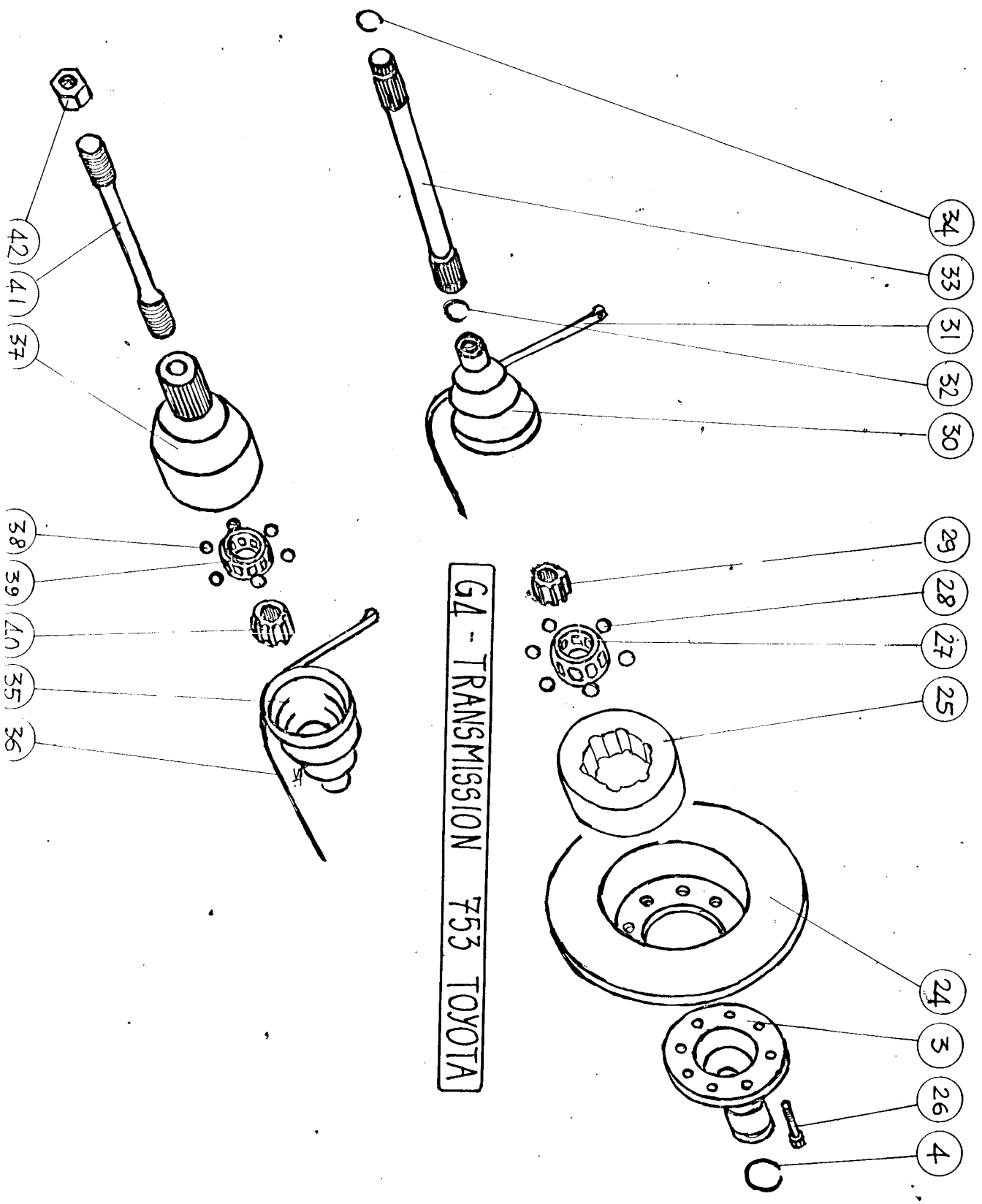
ISSUE	SIGNATURE	DATE
1	SPRUEWEGD	18-4-75



N3 - BODYWORK, WINGS, ETC. 755



ISSUE	SIGNATURE	DATE
1	JR. Raymond	18-4-75



ISSUE	SIGNATURE	DATE
1	JPHolwayd	18-4-75.

SPHERICAL BEARINGS - 753, 75R

SECTION K3

Item	Ref. No.	Matrix	No. Off	Detail
1 FRONT TOP WISHBONE OUTER	TD 45	15-1-2	2	(RBJ76GU)
2 " " " INNER	TD 52	15-1-14	4	(RC6E)
3 FRONT BOTTOM WISHBONE OUTER	TD 46	15-1-3	2	(RSTWR12)
4 TRACK ROD OUTER	TD 47	15-1-4	2	(RBJ341)
5 ANTI-ROLL BAR LINK	TD 49	15-1-11	8	(RMP5U)
6 RADIUS ARM	TD 51	15-1-13	8	(RC6H)
7 TOP LINK INNER	TD 52	15-1-14	2	(RC6E)
8 TOP LINK OUTER	TD 53	15-1-15	2	(RCL8H)
9 REAR BOTTOM WISHBONE OUTER FRONT	TD 50	15-1-12	2	(RBJ205L)
10 " " " " REAR	TD 57	15-2-4	2	(2124P)
11 " " " INNER	TD 56	15-2-3	2	(RSTQ8E)
12 GEAR LINKAGE FRONT SUPPORT	TD 82	15-2-10	1	(RBJ 343)
13 GEAR LINKAGE REAR SUPPORT	TD 55	15-2-2	1	(RMP8U)
14 THROTTLE CABLE FRONT SUPPORT	TD 17	15-1-1	1	(RMP4U)
15 NOSE FRAME	TD 49	15-1-11	2	(RMP5U)

ISSUE	SIGNATURE	DATE
1	<i>R. Howard</i>	18-4-75

SECTION D 3

Item	Ref. No.	Matrix	No. Off	Detail
FRONT UPRIGHT ASSEMBLY LH			1	
COMPRISES				
1 TOP NYLOC NUT	TD 375	13-3-11	1	($\frac{1}{2}$ " UNF HALF)
2 " PLAIN WASHER	TD 326	20-1-10	1	($\frac{1}{2}$ " T&C)
3 " WASHER	752-02-07	4-17-3	1	
4 FRONT UPRIGHT WASHER - SMALL	722-03-10	4-15-11	1	
5 " " " - LARGE	703-03-20	4-15-10	1	
6 TOP BOLT	TD 526	12-7-9	1	($\frac{1}{2}$ " UNF x $3\frac{1}{4}$ " CH)
7 FRONT UPRIGHT LH	743-06-01	6-1-1	1	
8 " " HELICOIL	TD 147	22-1-7	2	($\frac{7}{16}$ " UNF x $1\frac{1}{2}$ " ID)
9 " " GRUB SCREW	TD 153	12-1-1	1	(2BA x $\frac{1}{2}$ ")
10 FRONT WHEEL STUD ASSEMBLY	753-06-01	3-8-8	1	
11 " " " SPIROL PIN	TD 154	8-1-7	2	($\frac{3}{32}$ " x $\frac{3}{4}$ ")
12 " " NUT	TD 16	13-1-1	1	($\frac{3}{4}$ " UNF FULL)
13 FRONT AXLE	711-06-03	4-1-4	1	
14 " " DRIVE PIN	711-07-04	4-1-9	3	
15 " BRAKE DISC	703-06-01	7-1-1	1	
16 " BEARING SPACER	711-06-07	4-1-5	1	
17 " OUTER SPACER	711-07-05	4-1-13	1	
18 " WHEEL BEARING	TD 1	8-1-5	2	
19 BOTTOM PIN	707-06-08	4-1-10	1	
20 FEWB OUTER JOINT INSERT	707-06-09	4-1-3	1	
21 " " " RETAINING WASHER	703-02-21	4-1-2	1	
22 BOTTOM NYLOC NUT	TD 375	13-3-11	1	($\frac{1}{2}$ " UNF HALF)
FRONT UPRIGHT ASSEMBLY RH			1	
COMPRISES AS ABOVE BUT				
23 FRONT UPRIGHT RH	743-06-02	6-1-2	1	
FRONT WHEEL ASSEMBLY			2	
COMPRISES:				
24 ROAD WHEEL - 8" CAST	703-09-01	19-1-1	1	
25 WHEEL WASHER	712-07-10	4-6-10	1	
26 WHEEL WASHER INSERT	712-07-11	4-6-11	1	
27 FRONT TYRE	TD		1	

ISSUE	SIGNATURE	DATE
1	JRHolroyd	18-4-75

SECTION D3

Item	Ref. No.	Matrix	No. Off	Detail
REAR UPRIGHT ASSEMBLY			2	
COMPRISES:				
28 **REAR UPRIGHT	722-07-01	6-1-15	1	**
29 " AXLE	722-07-03	4-1-11	1	
30 " " DRIVE PIN	711-07-04	4-1-9	3	
31 " BEARING SPACER	712-07-05	4-1-12	1	
32 " OUTER SPACER	711-07-05	4-1-13	1	
33 " WHEEL BEARING	TD 1	8-1-5	2	
4 REAR WHEEL ASSEMBLY			2	
COMPRISES:				
34 ROAD WHEEL - 10" CAST	703-09-03	19-1-2	1	
35 WHEEL WASHER	712-07-10	4-6-10	1	
36 WHEEL WASHER INSERT	712-07-11	4-6-11	1	
37 REAR TYRE	TD		1	
38 FRONT UPRIGHT BOTTOM PIN HELICOIL			2	
** SUBSEQUENTLY:				
REAR UPRIGHT LH	75R-07-01		1	
" " RH	75R-07-02			

ISSUE	SIGNATURE	DATE
1	JPHolroyd	18-4-75
2	JPHolroyd.	

SECTION J7

	Item	Ref. No.	Matrix	No. Off	Detail
1	FUEL TANK LH	73B-15-01	17-1-1	1	
2	" " RH	73B-15-02	17-1-2	1	
3	COLLECTOR POT	752-15-06	2-2-14	1	
4	" " JUBILEE CLIP			2	
5	COLLECTOR POT OUTLET UNION	TD 300	21-1-10	1	(-8 St AEROQUIP)
6	HOSE-COLLECTOR POT TO FUEL FILTER (8" LENGTH)	TD 293	21-2-10	1	(-8 AEROQUIP)
7	FUEL FILTER INLET UNION	TD 314	21-1-12	1	(-8 90°AEROQUIP)
8	" " " ADAPTOR	752-15-11	4-8-14	1	(-8/-8 MALE/MALI
9	" " " END	753-15-03	4-11-8	1	(
10	" " ELEMENT		8-10-5	1	
11	" " OUTLET END	753-15-02	4-11-7	1	
12	" " " " BOLT			1	
13	" " " " WASHER			1	
14	" " " " PLUG	753-15-06	4-8-12	1	(-6 SIZE)
15	" " " " PLUG	752-17-08	4-19-10	1	(1/8" BSP SIZE)
16	" " " " " DOWTY WASHER			1	(1/8" BSP)
17	FUEL FILTER END MOUNTING BOLT			4	
18	" " " ADAPTOR	753-15-07	4-8-15	1	(-6/-8MALE/MALE)
19	" " " UNION	TD 314	21-1-12	1	(-8 90°AEROQUIP)
20	HOSE-FUEL FILTER TO FUEL PUMP (8" LENGTH)	TD 293	21-2-10	1	(-8 AEROQUIP)
21	" JUBILEE CLIP	TD 720	25-1-3	1	(00 SIZE)
22	FUEL PUMP INLET END CAP	752-15-04	4-13-6	1	(-8 SIZE)
23	FUEL PUMP(NORMALLY SUPPLIED BY CUSTOMER)			1	(BOSCH)
24	" " JUBILEE CLIP	TD 728	25-1-11	1	(2X SIZE)
25	" " MOUNTING BRACKET	752-15-09	3-7-7	1	
26	" " " " BOLT			2	
27	" " " " "SPRING WASHER			2	
28	FUEL PUMP OUTLET END CAP	752-15-05	4-16-7	1	(-6 SIZE)
29	" " " JUBILEE CLIP	TD 722		1	(18-28mm SIZE)
30	HOSE-FUEL PUMP TO PANCAKE FILTER (14" LENGTH)	TD 292	21-2-9	1	(-6 AEROQUIP)
31	PANCAKE FILTER INLET UNION	TD 306	21-1-8	1	(-6 45°AEROQUIP)
32	" " " ADAPTOR	752-15-13	4-12-15	1	(-6/-6MALE/MALE)
33	" " " " DOWTY WASHER			1	

ISSUE	SIGNATURE	DATE
1	JR Hehroyd	18-4-75

SECTION J7

Item	Ref. No.	Matrix	No. Off	Detail
PANCAKE FILTER ASSEMBLY			1	
COMPRISES:				
34 FILTER HOUSING	751-15-06	4-11-11	1	
35 FILTER LID	751-15-07	4-11-12	1	
36 FILTER GAUZE	751-15-08	3-2-15	1	
37 FILTER FELT	751-15-09	8-4-12	1	
38 FILTER O-RING	TD 288	8-5-1	1	
39 FILTER CIRCLIP	TD 289	23-1-8	1	
40 PANCAKE FILTER MOUNTING BRACKET	752-15-12	3-8-5	1	
41 " " " " JUBILEE CLIP			1	
42 " " "BOLT			2	
43 " " "SPRING WASHER			2	
44 PANCAKE FILTER OUTLET ADAPTOR	752-15-10	4-8-13	1	(-6/-6MALE/MALE)
45 " " " "DOWTY WASHER			1	
46 " " " UNION	TD 306	21-1-8	1	(-6 45°AEROQUIP)
47 HOSE-PANCAKE FILTER TO METERING UNIT (36" LENGTH)	TD 292	21-2-9	1	(-6 AEROQUIP)
48 HOSE JUBILEE CLIP	TD 718	25-1-1	1	(000 SIZE)
49 METERING UNIT INLET END CAP	752-15-05	4-16-7	1	(-6 SIZE)
50 METERING UNIT OUTLET END CAP	752-15-05	4-16-7	1	(-6 SIZE)
51 HOSE JUBILEE CLIP	TD 718	25-1-1	1	(000 SIZE)
52 HOSE-METERING UNIT TO COLLECTOR POT (42" LENGTH)	TD 292	21-2-9	1	(-6 AEROQUIP)
53 COLLECTOR POT INLET UNION	TD 313	21-1-9	1	(-6 90°AEROQUIP)
54 FUEL FILLER	753-15-08	3-7-2	1	
* 55 " " CAP *	722-18-11	4-20-1	1	*
56 " " " O-RING	TD 70	8-8-9	1	
57 " " JUBILEE CLIP			1	
58 " " RUBBER HOSE (5"LENGTH)	TD 757	8-10-6	1	(1 $\frac{3}{4}$ " I.D.)
59 " " " "JUBILEE CLIP	TD 727	25-1-10	2	(NO 2 SIZE)
60 FUEL TANK BREATHER TUBE			2	(ALLOY)
61 " " " " JUBILEE CLIP			2	
62 FUEL TANK BREATHER PIPE(6"LENGTH)		8-10-7	1	($\frac{3}{8}$ "I.D. GREY PLASTIC)
63 " " " " JUBILEE CLIP	TD 720	25-1-3	2	(00 SIZE)
64 FUEL FILLER BREATHER PIPE (56" LENGTH)		8-10-7	1	($\frac{3}{8}$ "I.D. GREY PLASTIC)

FUEL SYSTEM - 753 TOYOTA

ISSUE	SIGNATURE	DATE
1	JR Lloyd	18-4-75

SHEET 3 OF 3

		SECTION			
Item	Ref. No.	Matrix	No. Off	Detail	
65 FUEL FILLER BREATHER PIPE JUBILEE CLIP	TD 720	25-1-3	2	(00 SIZE)	
66 FUEL BREATHER VALVE	753-15-04	4-11-13	1		
67 FUEL TANK BREATHER PIPE		8-10-7	1	($\frac{3}{8}$ " I.D. GREY PLASTIC)	
68 " " " "		8-10-7	1	($\frac{3}{8}$ " I.D. GREY PLASTIC)	
69 " " " PIPE JUBILEE CLIP	TD 720	25-1-3	4	(00 SIZE)	
70 FUEL FILLER ROLLOVER BAR BRACKET			1		
71 " " " " " BOLT			2		
72 " " " " " NYLOC NUT			2		
73 " " BREATHER TEE PIECE			1		

KIT LISTS

SECTION F

(ENGINE INSTALLATION KIT)

- ✓ F5 = 753 PINTO NON STOCK
- ✓ F6 = 753 TOYOTA CL
- ✓ F7 = 752 BMW JC
- F8 = 752 BDG JC
- F9 = 752 ALI. HART (50A) 5 JC
- F10 = 75S2BDG JC
- F11 = 751 DFV CL
- ✓ F12 = 75R RENAULT 6 CL
- ✓ F13 = 75S2BMW JC
- ✓ F14 = 75S2NEW HART JC } MW
- F15 = 75B BDA (ATLANTIC-CARBS) JC
- F16 = 753 BMW

ENGINE INSTALLATION KIT - 753 BMW

SHEET 1 OF 3

ISSUE	SIGNATURE	DATE
1	JRHolroyd	18-4-75.

		SECTION F6			
Item	Ref. No.	Matrix	No. Off	Detail	
1	ENGINE (NORMALLY SUPPLIED BY CUSTOMER)		1		
2	75B-01-05	1-4-15	1		
3	73B-01-02	1-1-11	1		
4			2		
5			2		
6			2		
7			2		
8			2		
9			2		
10	753-16-07	4-17-13	1		
11			4		
12	753-16-06	4-17-14	1		
13			3		
14			3		
15	ENGINE STARTER MOTOR (NORMALLY SUPPLIED WITH ENGINE)		1		
16	TD 237	12-5-10	1	(3/8" UNF x 3" CH)	
17	TD 324	20-1-8	1	(3/8" T & C)	
18	TD 380	13-3-3	1	(3/8" UNF FULL)	
19	753-16-09	4-15-9	1		
20	TD 834	12-17-12	3	(6mm x 35mm HH)	
21	TD 862	12-17-13	2	(10mm x 45mm HH)	
22	TD 866	12-17-11	1	(10mm x 65mm HH)	
23			1		
24	753-01-49	1-6-3	1		
25	753-01-53	4-21-5	2	(15/32" THICK)	
26			2		
27			2		
28	753-01-55	4-20-14	2	(1 1/4" THICK)	
29	REAR SKID		1		
30	" " BOLT		3		
ENGINE EXHAUST SYSTEM		24-1-7	1		
COMPRISES:					
31	PRIMARY PIPE		4		
32	TAIL PIPE		1		
33	" " SPLIT PIN		2		

ENGINE INSTALLATION KIT - 753 BMW

ISSUE	SIGNATURE	DATE
1	J. H. Lloyd	18-4-75

SHEET 2 OF 3

SECTION F6

Item	Ref. No.	Matrix	No. Off	Detail
34 ENGINE EXHAUST FLANGE NUT		13-2-11	8	
35 ENGINE EXHAUST BRACKET	753-01-61	3-9-15	1	
36 " " " BOLT			2	
37 " " " JUBILEE CLIP			1	
38 GEARBOX INPUT SHAFT	753-16-11	18-2-3	1	
39 " " " CIRCLIP	TD 4	18-2-7	1	
40 " CLUTCH BOBBIN	TD 125	18-1-15	1	
ENGINE THROTTLE CABLE ASSEMBLY				
COMPRISES:				
41 PEDAL CLEVIS	TD 35		1	
42 " " WASHER			1	
43 " " SPLIT PIN	TD 40		1	(1/16" DIA. x 1" LONG)
44 SOLDER-ON NIPPLE			1	
45 INNER CABLE	TD 31		1	
46 CABLE ADJUSTER	TD 32		1	
47 FERRULE	TD 33		1	
48 INNER CABLE LINER	TD 37		1	
49 OUTER CABLE	TD 30		1	
50 FERRULE	TD 33		1	
51 CABLE ADJUSTER	TD 32		1	
52 " " NUT				
53 " " MOUNTING BRACKET		3-12-12	1	
54 SOLDER-ON NIPPLE			1	
55 CLEVIS	TD 35		1	
56 CLEVIS PIN	TD 36		1	
57 " " WASHER			1	
58 " " SPLIT PIN	TD 40		1	(1/16" DIA. x 1" LONG)
59 METERING UNIT THROTTLE BRACKET	753-16-14	3-12-13	1	
60 TACHOMETER	TD 424		1	(0-8000 RPM)
61 " DRIVE (72" LENGTH)	TD 65	8-3-4	1	
62 GAUGE (OIL PRESSURE/OIL TEMP.)	TD 67	8-3-5	1	(10FT CAPILLARY)

ISSUE	SIGNATURE	DATE
1	JRHolroyd	18-4-75

SECTION F6

Item	Ref. No.	Matrix	No. Off	Detail
OIL PRESSURE LINE ASSEMBLY				
COMPRISES:				
63	UNION	TD 705	8-4-10	1 (1/8" BSP 90°)
64	HOSE	TD 704	8-4-9	1 (1/8" I.D.)
65	UNION	TD 705	8-4-10	1 (1/8" BSP 90°)
66	GAUGE (FUEL PRESSURE/WATER TEMP)	TD 68	8-9-9	1 (6FT CAPILLARY)
FUEL PRESSURE LINE ASSEMBLY				
COMPRISES:				
67	UNION	TD 705	8-4-10	1 (1/8" BSP 90°)
68	HOSE	TD 704	8-4-9	1 (1/8" I.D.)
69	UNION	TD 705	8-4-10	1 (1/8" BSP 90°)

753 BMW LOOSE PARTS CHECK LIST

SECTION P6 SHEET 1 OF 2

	Item	Ref. No.	Matrix	No. Off	Detail
1	EXHAUST PRIMARY PIPES			4	
2	" TAIL PIPE			1	
3	" " " SPLIT PIN			2	
4	ENGINE MTG PAD LH	753-16-07		1	
5	" " " RH	753-16-06		1	
6	" " " BOLT			8	
7	" " " BOLT			2	
8	" " " SPRING WASHER			8	
9	" " " PLAIN WASHER			8	
10	MIRROR	TD 422		2	
11	" MOUNT	753-17-01		2	
12	SP/HT BLEED PIPE C/W 2 ST UNIONS			1	
13	RAD/HT " " " " " "			1	
14	HT/WP RUBBER HOSE			1	
15	ENGINE SUMP ADAPTOR (TEMP)			1	
16	ENGINE SUMP ADAPTOR (PRESSURE)			1	
17	" " " DOWTY WASHER			2	
18	JUBILEE CLIP			2	(O size)
19	CLUTCH BOBBIN (PINTO TYPE)	TD 125		1	
20	ADAPTOR PLATE BOLT				
21	SUBFRAME BOLT				
22	BODY MOUNTING KIT			1	
23	BATTERY LEAD (10ft. LENGTH)	TD 626		1	
24	BATTERY TERMINAL			7	
25	BATTERY SPRING	TD		1	
26	" " CLIP	75R-17-03		1	
27	BATTERY	TD 124		1	
28	HEEL REST	712-01-80			
29	RADIATOR STONEGUARD	75R-13-05			
30	THROTTLE BRACKET			1	
31	THROTTLE LEVER			1	
32	FRONT WHEEL 13 x 8	703-09-01		2	
33	" TYRE	TD		2	
34	" WHEEL WASHER	712-07-10		2	

SECTION P6 SHEET 2 OF 2

Item	Ref. No.	Matrix	No. Off	Detail
35 WHEEL WASHER INSERT	712-07-11		2	
36 REAR WHEEL 13 x 10	703-09-03		2	
37 " TYRE	TD		2	
38 " WHEEL WASHER	712-07-10		2	
39 " WHEEL WASHER INSERT	712-07-11		2	
40 WHEEL NUT	TD 16		4	(3/4" UNF FULL)

I confirm that I have received the above chassis number as ordered and I have checked that the loose parts listed on the 2 sheets herewith are packed together with it.

Signed by customer's Rep/Carrier

BLOCK CAPITALS:

DATE:

* Check option page delete part no if different spec supplied

4 Check type and enter on kit list front page

NB File original with kit list - give customer photostat

OIL SYSTEM 753 BMW

ISSUE	SIGNATURE	DATE
1	JPHolroyd	18-4-75

SECTION H6

Item	Ref. No.	Matrix	No. Off	Detail
1 OIL TANK	753-14-01		1	
2 " " MOUNTING RUBBER		8-8-8	3	
3 " " " WASHER			6	
4 " " " NYLOC NUT			3	
5 " " TIE-ROD	753-01-48	3-9-4	1	
6 " " " " BOLT	TD 208	12-3-6	1	($\frac{1}{4}$ " UNF x $2\frac{1}{4}$ " CH)
7 " " " " WASHER	TD 322	20-1-6	1	($\frac{1}{4}$ " T & C)
8 " " " " NYLOC NUT	TD 378	13-3-1	1	($\frac{1}{4}$ " UNF FULL)
OIL TANK CAP ASSEMBLY			1	
9 COMPRISES: CAP	742-14-03	4-6-4	1	
10 'O' RING	TD 70	8-8-9	1	
11 FOAM CYLINDER	TD 69	8-5-15	1	
12 SPINDLE	742-14-17	4-11-15	1	
13 BIGHEAD END WASHER	TD 71	8-5-14	2	
14 OIL TANK OUTLET UNION	TD 315	21-2-6	1	(-16 90° AEROQUIP)
23 OIL TANK INLET UNION	TD 310	21-2-5	1	(-16 45° AEROQUIP)
24 CAM COVER BREATHER PIPE (4" LENGTH)	TD 739	8-7-9	1	($\frac{5}{8}$ " ID CLEAR PLASTIC)
25 " " " PIPE JUBILEE CLIP	TD 721	25-1-4	2	(0 SIZE)
26 " " 90° ELBOW		3-2-14	1	($\frac{5}{8}$ " TO $\frac{1}{2}$ ")
27 " " BREATHER PIPE (36" LENGTH)	TD 738	8-7-8	1	($\frac{1}{2}$ " ID CLEAR PLASTIC)
28 " " " PIPE PINCH CLIP			2	($\frac{3}{4}$ " SIZE)
29 OIL TANK BREATHER PIPE (12" LENGTH)	TD 739	8-7-9	1	($\frac{5}{8}$ " ID CLEAR PLASTIC)
30 " " " PIPE PINCH CLIP			1	(1" SIZE)
31 BREATHER BOTTLE	TD 420	8-4-1	1	
32 " " BRACKET	TD 421	8-4-2	1	
33 " " " BOLT	TD 529	12-2-4	4	(2BA x $\frac{1}{2}$ " BH)
34 " " " NYLOC NUT	TD 410		4	(2BA FULL)

TRANSMISSION - 753 BMW

SHEET 1 OF #2

SECTION

Item	Ref. No.	Matrix	No. Off	Detail
GEARBOX ASSEMBLY				
COMPRISES				
GEARBOX	TD 2	18-1-1	1	(HEWLAND MK9)
" OUTPUT FLANGE LH	TD 3	18-1-6	1	
" " " RH	TD 3	18-1-7	1	
" " " CIRCLIP	TD 106	18-2-8	2	
CLUTCH SLAVE CYLINDER			1	
" " " BOLT			2	
" " " WASHER			2	
" " " SPRING WASHER			2	
CLUTCH PUSH ROD			1	
" " " END CAP		4-21-12	1	
" " " LOCK NUT			3	
" " " STOP BRACKET		4-21-13	1	(C.S.)
" " " BOLT			2	
" " " RETURN SPRING	TD	8-10-14	1	
GEARBOX REAR CROSS MEMBER BOLT			2	
" " " WASHER			2	
" " " NYLOC NUT			2	
GEARBOX ADAPTOR PLATE STUD			1	
" " " WASHER			1	
" " " SPRING WASHER			1	
" " " NUT			1	
RLWB MOUNTING BRACKET	713M-01-58	5-1-4	1	
" " " STUD			2	
" " " WASHER			2	
" " " SPRING WASHER			2	
" " " NUT			2	
GEARBOX PLATE	753-16-12	2-6-1	1	
" " TO ADAPTOR PLATE BOLT	TD498	12-9-3	1	(3/8" UNC x 1" CH)
" " " WASHER			1	
" " " SPRING WASHER			1	
" " TO GEARBOX BOLT			2	
" " " WASHER			4	
DRIVESHAFT ASSEMBLY				
COMPRISES				
REAR DISC	753-26-01	7-1-2	1	
PLUNGE JOINT HOUSING	TD 177	14-1-9	1	(89ST JOINT)
" " " BOLT	722-10-10	12-1-2	6	
" " " CAGE	TD 176	14-1-7	1	(89ST JOINT)

TRANSMISSION - 753 BMW

SHEET 2 OF 2

SECTION

Item	Ref. No.	Matrix	No. Off	Detail
PLUNGE JOINT INNER TRACK	TD179	14-1-6	1	(89ST JOINT)
" " GAITER	TD183	14-1-5	1	
" " " TYRAP	TD195	8-3-15	1	(LARGE SIZE)
DRIVESHAFT INNER CIRCLIP	TD 174	8-1-9	1	
DRIVESHAFT	732-10-01		1	
DRIVESHAFT OUTER CIRCLIP	TD 180	8-1-8	1	
CONSTANT VELOCITY JOINT GAITER	TD183	14-1-5	1	
" " " TYRAP	TD195	8-3-15	1	(LARGE SIZE)
* " " " BELL	722-10-03	14-1-1	1	* (100AC JOINT)
" " " CAGE	TD182	14-1-3	1	(100AC JOINT)
" " " BALL	TD181	14-1-2	6	(100AC JOINT)
" " " INNER TRACK	711-10-10	14-1-4	1	(100AC JOINT)
WHEEL RETAINING STUD	703-06-08	4-1-8	1	
" " NUT	TD 16	13-1-1	1	(3/4" UNF FULL)
FRONT GEAR ROD	75R-11-19	3-5-8	1	
" " " LOCKNUT	TD		1	
" " " REAR BOLT	TD		1	
" " " REAR NUT	TD		1	
" " " ROSEJOINT LOCKNUT	TD		1	
REAR GEAR ROD	753-11-01	3-5-4	1	
" " " REAR BOLT	TD		1	
" " " REAR NUT	TD		1	
RLWB MOUNT	733-01-10	5-1-9	1	
" " " SIDEPLATE BOLT			2	
" " " WASHER			2	
" " " NYLOC NUT			2	
RLWB BRACE	733-01-11	3-1-8	1	
" " " SPACER	753-01-50	4-17-12	1	
" " " BOLT			2	
" " " WASHER			4	
" " " NUT			2	
" " LOWERING SPACER	753-01-51	4-21-14	2	
" " " WASHER			3	
" " " NYLOC NUT				

ISSUE	SIGNATURE	DATE
1	JRHolroyd	18-4-75

SECTION I6

Item	Ref. No.	Matrix	No. Off	Detail
1 RADIATOR LH	753-13-09	27-1-15	1	(WATER ONLY)
2 " MOUNTING SPACER			1	
3 " " BOLT			2	
4 " " NYLOC NUT			2	
5 RADIATOR STONEGUARD	75R-13-05	2-4-1	1	
6 RADIATOR TIE-ROD	753-01-04	3-8-13	1	
7 " " " BOLT	TD 205	12-3-3	1	($\frac{1}{4}$ " UNFx $1\frac{1}{2}$ " CH)
8 " " " METALASTIC BUSH			1	
9 " " " NYLOC NUT	TD 378	13-3-1	1	($\frac{1}{4}$ " UNF FULL)
10 " " " MOUNTING	732-05-05	4-2-2	2	(1" I.D. PLASTIC)
11 " " " " BOLT	TD 207	12-3-5	2	($\frac{1}{4}$ " UNF x 2" CH)
12 " " " " WASHER	TD 322	20-1-6	4	($\frac{1}{4}$ " T & C)
13 " " " " NYLOC NUT	TD 378	13-3-1	2	($\frac{1}{4}$ " UNF FULL)
14 RUBBER HOSE-RADIATOR TO WATER PIPE (4" LENGTH)	TD 753	8-4-7	1	($1\frac{1}{4}$ " I.D.)
15 RUBBER HOSE JUBILEE CLIP	TD 725	25-1-8	2	(1X SIZE)
16 WATER PIPE (RADIATOR TO WATER PUMP)	753-13-10	2-7-7	1	
17 135° RUBBER HOSE BEND-WATER PIPE TO WATER PUMP			1	($1\frac{1}{4}$ " I.D.)
18 " " " BEND JUBILEE CLIP	TD 725	25-1-8	1	(1X SIZE)
19 " " " " JUBILEE CLIP	TD 727	25-1-10	1	(NO. 2 SIZE)
20 WATER PIPE (CYLINDER HEAD TO SWIRL POT)	753-13-11	2-7-8	1	
21 " " BOLT	TD 844		1	(8mm x 30mm HH)
22 " " SPRING WASHER			1	
23 RUBBER HOSE-WATER PIPE TO SWIRL POT (2" LENGTH)	TD 753	8-4-7	1	($1\frac{1}{4}$ " I.D.)
24 " " JUBILEE CLIP	TD 725	25-1-8	2	(1X SIZE)
25 SWIRL POT	753-13-08		1	
26 RUBBER HOSE-SWIRL POT TO RADIATOR (3" LENGTH)	TD 753	8-4-7	1	($1\frac{1}{4}$ " I.D.)
27 " " JUBILEE CLIP	TD 725	25-1-8	2	(1X SIZE)
28 HEADER TANK			1	
29 " " CAP	TD 72	8-6-11	1	
30 " " MOUNTING TUBE (3" LENGTH)	TD 736	8-7-12	2	($\frac{1}{4}$ " I.D. CLEAR PLASTIC)
31 " " " BOLT	TD 213	12-17-6	2	($\frac{1}{4}$ " T & C)
32 " " " WASHER	TD 322	20-1-6	2	($\frac{1}{4}$ " T & C)

ISSUE	SIGNATURE	DATE
1	JRHolroyd	8-4-75

WATER SYSTEM - 753 BMW

SHEET 2 OF 2

SECTION 16

Item	Ref. No.	Matrix	No. Off	Detail
34 RUBBER HOSE - HEADER TANK TO WATER PIPE (21" LENGTH)	TD 748	8-7-10	1	($\frac{5}{8}$ " I.D.)
35 RUBBER HOSE JUBILEE CLIP	TD 722	25-1-5	2	(19-25mm SIZE)
36 HEADER TANK BLANKING CAP			1	
37 " " BREATHER PIPE (31" LENGTH)	TD 736	8-7-12	1	($\frac{1}{4}$ " I.D. CLEAR PLASTIC)
38 BLEED PIPE-HEADER TANK TO RADIATOR (22" LENGTH)	TD 542	8-8-5	1	($\frac{5}{32}$ " ID NYLON)
39 BLEED PIPE STRAIGHT UNION	TD 541	8-5-12	2	($\frac{1}{8}$ " BSP SIZE)
40 BLEED PIPE-HEADER TANK TO SWIRL POT (15" LENGTH)	TD 542	8-8-5	1	($\frac{5}{32}$ " ID NYLON)
41 " " STRAIGHT UNION	TD 541	8-5-12	2	($\frac{1}{8}$ " BSP SIZE)

753 CONVERSION ITEMS

Item	SECTION		No. Off	Detail
	Ref. No.	Matrix		
REAR WING	753-12-19		1	
W FLAP LH (4½" WIDTH)	753-12-10		1	
W FLAP RH (4½" WIDTH)	753-12-09		1	
FARB	753-05-04		1	(1" DIA x 16SWG)
FARB MOUNTING	732-05-05		4	(1" I.D.)
FARB CLAMP	72X-05-19		2	(1" I.D.)

ISSUE	SIGNATURE	DATE
1	J. Helroyd	18-4-75

SECTION M3

Item	Ref. No.	Matrix	No. Off	Detail
1 BATTERY	TD 124	8-3-11	1	
2 BATTERY LEAD(BATTERY TO MASTER SWITCH			1	(FEPSIL 2)
3 " " (BATTERY TO STARTER MOTOR			1	(FEPSIL 2)
4 BATTERY LEAD TERMINAL			4	
5 " " " RUBBER BOOT			3	
6 BATTERY CLIP	75R-17-03	3-2-12	1	
7 " " SPRING		23-2-1	1	
MASTER SWITCH ASSEMBLY	75R-28-04		1	
COMPRISES:				
8 BODY	TD 428	9-1-15	1	
9 SHAFT	75R-28-01	4-12-12	1	
10 NYLON BUSH	75R-28-03	4-12-13	1	
11 LEVER	75R-28-02	1-4-4	1	
12 LEVER BOLT			1	
13 MOUNTING BOLT			2	
14 " WASHER			2	
15 " NYLOC NUT			2	
16 LABEL			1	(RED AND BLUE)
17 COIL			1	
18 " MOUNTING CLAMP			1	
19 " " BRACKET			1	
20 " " " BOLT			2	
21 " " " WASHER			2	
22 " " " NYLOC NUT			2	
23 TOGGLE SWITCH - FUEL PUMP	TD 427	9-1-13	1	
24 " " - IGNITION	TD 427	9-1-13	1	
25 " " - CRASH LIGHT	TD 427	9-1-13	1	
26 KILL SWITCH (STEERING WHEEL)	TD 426	9-1-12	1	(NSF)
27 STARTER BUTTON SWITCH	TD 274	9-1-2	1	
28 REAR CRASH LIGHT	TD 275	9-1-5	1	(RED LENS)
29 " " " MOUNTING RUBBER			2	
30 " " " SPRING WASHER			2	
31 " " " NYLOC NUT			2	

ISSUE	SIGNATURE	DATE
1	JRHolroyd	18-4-75

SECTION L3

Item	Ref. No.	Matrix	No. Off	Detail
FRONT BRAKES				
1			1	
2			3	
3	TD 284		1	(0.75" SIZE)
4			2	(5/16"UNFx2½"CH)
5			4	(5/16" T & C)
6			2	(5/16"UNF FULL)
7	TD 698		1	(¾" THIN)
8	TD 690		1	
9	TD 688		1	(7/16" THIN)
10	TD 691		1	(2 WAY 90°)
11	732-06-18		2	(¼" BSP/¾" UNF MALE/MALE)
12	TD 689		2	(¾" THIN)
13	TD 697		2	(-3BSP St AERO-QUIP)
14	TD 290		2	(-3 AEROQUIP)
15	TD 701		2	(-3BSP 90° AERO-QUIP)
16	732-06-18		2	(¼" BSP/¾" UNF MALE/MALE)
17			2	(¾" THICK)
18	TD 111		1	
19	TD 111		1	
20			2	
21			4	(
22			4	(7/16" T & C)
23	753-06-02		4	
REAR BRAKES				
24			1	
25			3	
26	TD 280		1	(0.70" SIZE)
27			2	(5/16"UNFx2½"CH)
28			4	(5/16" T & C)
29			2	(5/16"UNF FULL)
30	TD 694		1	(3/16" O.D.)
31	753-06-02		1	

HYDRAULICS - 753

ISSUE	SIGNATURE	DATE
1	J.P. Howard	18-4-75

SHEET 2 OF 3

SECTION L3

Item	Ref. No.	Matrix	No. Off	Detail
<u>REAR BRAKES (CONT'D)</u>				
32			1	
			1	
33			1	
34	TD 697		1	(-3BSP St AEROQUIP)
35	TD 290		1	(-3 AEROQUIP)
36	TD 701		1	(-3BSP 90° AEROQUIP)
37	732-06-18		1	(1/8" BSP/3/8" UNF MALE/MALE)
38			1	(3/8" THICK)
39	TD 112		1	
40			2	
41			2	
42			2	
43	743-10-09		1	
44			2	
45			2	
46	732-06-18		1	(1/8" BSP/3/8" UNF MALE/MALE)
47			1	(3/8" THIN)
48			1	(-3BSP 45° AEROQUIP)
49			1	(-3 AEROQUIP)
50	TD 701		1	(-3BSP 90° AEROQUIP)
51	732-06-18		1	(1/8" BSP/3/8" UNF MALE/MALE)
52			1	
53	TD 112		1	
54			2	
55			2	
56			2	
57	743-10-09		1	
58			2	
59			2	

ISSUE	SIGNATURE	DATE
1	J. Helroyd	10-4-75.

SECTION L3

Item	Ref. No.	Matrix	No. Off	Detail
CLUTCH				
60			1	
61			3	
62	TD 284		1	(0.75" SIZE)
63			1	(5/16" UNF x 2 1/2" CH)
64			4	(5/16" T & C)
65			2	(5/16" UNF FULL)
66	TD 689		1	(3/8" THIN)
67	TD 687		1	
68	TD 692		1	(1/4" O.D.)
69	722-18-04		1	
70			1	
71			1	
72	TD 698		1	(-4BSP St AEROQUIP)
73	TD 291		1	(-4 AEROQUIP)
74	TD 698		1	(-4BSP St AEROQUIP)
75	722-18-08		1	(1/4" BSP/3/8" UNF MALE/MALE)
76	TD 689		1	(3/8" THIN)
77			2	
78			2	

ISSUE	SIGNATURE	DATE
1	J.R. Breyd	18-9-75

SECTION A3

Item	Ref. No.	Matrix	No. Off	Detail
MONOCOQUE ASSEMBLY	753-01-37		1	
COMPRISES:				
1 SEAT TANK COVER PLATE	732-01-35		1	
2 " " " " DZUS	TD 155		4	
3 " " " " DZUS WIRE	TD 155		4	
4 REAR DIAPHRAGM LH	742-01-28		1	
5 " " RH	742-01-21		1	
6 REAR DIAPHRAGM STRIP	723-01-56		2	
7 " " BOLT	TD 529	12-2-14	30	(2BA x 1/2" BH)
8 " " WASHER	TD 365		60	(2BA T & C)
9 " " NYLOC NUT	TD 410		30	(2BA FULL)
10 " " BOLT	TD 517	12-3-11	14	(1/4" UNF x 1/2" CH)
11 " " SPRING WASHER	TD 334		14	(1/4" SQ. SEC.)
12 " " WASHER	TD 322		14	(1/4" T & C)
13 " " METALASTIC BUSH	TD 156		2	(F3 & FR ONLY)
14 " " " "	TD 156		4	(FB ONLY)
15 RACK MOUNTING BLOCK	752-04-03		2	
16 " " " BOLT				
17 5KG FIRE EXTINGUISHER MOUNTING	752-01-89		1	
18 LIFE SUPPORT/FIRE EXTINGUISHER MOUNTING BRACKET	753-01-13	3-1-11	1	
19 GEARSHIFT SHROUD	753-01-40		1	
20 " " BOLT	TD 529	12-2-14	7	(2BA x 1/2" BH)
21 " " WASHER	TD 365		7	(2BA T & C)
22 FRONT SUSPENSION PLATE	753-01-64		2	(1/8" THICK)
23 " " " BOLT	TD 216	12-4-3	4	(5/16" UNF x 1" CH)
24 " " " WASHER	TD 323		4	(5/16" T & C)
25 LEFT FOOT REST	712-01-57		1	
26 " " " BOLT	TD 529	12-2-14	4	(2BA x 1/2" BH)
27 " " " NYLOC NUT	TD 410		4	(2BA FULL)
28 HEEL REST	712-01-80		1	
29 SEAT BELT	TD 10		1	
30 " " PLATE - FLAT	722-01-74		2	
31 " " " - JOGGLED	722-01-75		2	
32 " " " BOLT	TD 216	12-4-3	8	(5/16" UNF x 1" BH)
33 " " " WASHER	TD 323		8	(5/16" T & C)
34 " " " NYLOC NUT	TD 372		8	(5/16" UNF HALF)

ISSUE	SIGNATURE	DATE
1	J. H. Lloyd	18-4-75

SECTION A3

Item	Ref. No.	Matrix	No. Off	Detail
35 SUB DASH PANEL	712-01-62		1	
36 " " " MOUNTING RUBBER	TD 8	8-1-1	4	
37 " " " DOME NUT	TD 416		4	(2BA)
38 " " " WASHER	TD 365		4	(2BA T & C)
39 " " " NYLOC NUT	TD 410		4	(2BA FULL)
40			1	
41 ROLL OVER BAR	752-01-56	2-2-7	1	(F3 ONLY CADMIUM PLATE)
42 " " BOLT	TD 237	12-5-10	2	($\frac{3}{8}$ "UNF x 3" CH)
43 " " NYLOC NUT	TD 380		2	($\frac{3}{8}$ "UNF FULL)
44 ROLLOVER BAR STAY	732-01-18		2	
45 " " " TOP BOLT	TD 236	12-5-9	2	($\frac{3}{8}$ "UNFx2 $\frac{3}{4}$ "CH)
46 " " " TOP NYLOC NUT	TD 380		2	($\frac{3}{8}$ "UNF FULL)
47 " " " BOTTOM BOLT	TD 229	12-5-2	2	($\frac{3}{8}$ "UNF x 1"CH)
48 SEAT BELT SHOULDER STRAP BOLT			2	
49 " " " " NYLOC NUT			2	
50 FRONT SKID	722-01-91	5-1-3	1	
51 " " BOLT			3	
52 STEERING WHEEL	742-04-02	8-1-3	1	
53 " " RETAINER WASHER	712-04-07	4-2-4	1	
54 " " " RIVET	TD 7	8-1-4	3	
55 " " " BOLT			1	
56 STEERING COLUMN	712-04-04	3-1-1	1	(30" LENGTH)
57 " " SUPPORT	732-04-02	4-2-1	2	
58 " " " BOLT	TD 220		1	(5/16"UNFx2"CH)
59 " " " WASHER	TD 323		1	(5/16" T & C)
60 " " " NYLOC NUT	TD 379		1	(5/16"UNF FULL)
61 " " " UNIVERSAL JOINT	TD 9	8-1-2	1	
62 " " " JOINT BOLT			2	
63 " " " " NYLOC NUT			2	
64 CHASSIS PLATE		8-4-4	1	
65 CAUTION PLATE		8-3-12	1	
GEARCHANGE MECHANISM				
66 COMPRISES: GEAR LEVER	732-11-10	4-5-1	1	
67 " " PIVOT	712-11-10	4-5-2	1	
68 " " " BOLT	TD 203		1	($\frac{1}{4}$ "UNF x 1" CH)

ISSUE	SIGNATURE	DATE
1	JELLYWOOD	18-4-75

SECTION A3

Item	Ref. No.	Matrix	No. Off	Detail
69 GEAR LEVER PIVOT NYLOC NUT	TD 378		1	($\frac{1}{4}$ " UNF FULL)
70 GEAR SHAFT	752-11-04	4-24-12	1	
71 " " ROSEJOINT BOLT			1	
72 " " " WASHER			1	
73 GEAR FORK	742-11-01	4-5-4	1	
74 GEAR LEVER BADGE		8-6-10	1	
75 ROSE JOINT LOCKNUT			1	
FIRE EXTINGUISHER SYSTEM				
COMPRISES:				
76 FIRE PULL HANDLE	752-22-01	1-2-14	1	
77 " " " LABEL			1	(RED AND WHITE)
78 " " " BOLT	TD 517		1	($\frac{1}{4}$ " UNF x $\frac{1}{2}$ " CH)
79 " " " SPRING WASHER	TD 334		1	($\frac{1}{4}$ " SQ. SEC.)
80 " " " WASHER	TD 322		1	($\frac{1}{4}$ " T & C)
81 FOUR WAY CABLE PULL CYLINDER			1	
82 " " " " " BOLT	TD 529	12-2-1	2	(2BA x $\frac{1}{2}$ " CH)
83 " " " " " SPRING WASHER	TD 367		2	(2BA SQ. SEC.)
84 " " " " " SPLIT PIN	TD 152		1	($\frac{1}{8}$ " x 2")
85 FIREATER PLASTIC TRIANGLE			1	
TO MASTER SWITCH				
86 SOLDERLESS NIPPLE			1	
87 INNER CABLE			1	
88 FERRULE			1	
89 OUTER CABLE			1	
90 CLEVIS			1	
91 CLEVIS PIN			1	
92 " " SPLIT PIN			1	
TO 2.5 KG BOTTLE				
93 FERRULE			1	
94 INNER CABLE			1	
95 OUTER CABLE			1	
96 FERRULE			1	
97 CABLE ADJUSTER AND LOCKNUT	TD 710		1	
98 SOLDER-ON NIPPLE			1	

ISSUE	SIGNATURE	DATE
1	JRHolwayd	18-4-75

SECTION A3

Item	Ref. No.	Matrix	No. Off	Detail
99	90° CABLE GUIDE TUBE AND LOCKNUT	TD 710	1	
100	OPERATING HEAD	TD 710	1	
101	EXTINGUISHER BOTTLE	TD 710	1	(2.5 KG SIZE)
102	" " STRAP	TD 710	1	(2.5 KG SIZE)
103	BRASS UNION	TD 710		
104	PURPLE ARMOURED PIPE	TD 710	1	(24" LENGTH)
105	REAR BULKHEAD NOZZLE	TD 710	1	
106	" " " LOCKNUT		1	
TO LIFE-SUPPORT BOTTLE				
107	FERRULE		1	
108	INNER CABLE		1	
109	OUTER CABLE		1	
110	FERRULE		1	
111	CABLE ADJUSTER AND LOCKNUT	TD 711	1	
112	SOLDER-ON NIPPLE		1	
113	OPERATING HEAD	TD 711	1	
114	LIFE-SUPPORT BOTTLE	TD 711	1	
115	" " " STRAP	TD 711	2	
116	FLEXIBLE FEED PIPE	TD 711	1	
TO 5 KG BOTTLE				
117	FERRULE		1	
118	INNER CABLE		1	
119	OUTER CABLE		1	
120	FERRULE		1	
121	CABLE ADJUSTER AND LOCKNUT		1	
122	SOLDER-ON NIPPLE		1	
123	90° CABLE GUIDE TUBE AND LOCKNUT	TD 709	1	
124	OPERATING HEAD	TD 709	1	
125	EXTINGUISHER BOTTLE	TD 709	1	(5 KG SIZE)
126	" " STRAP	TD 709	2	(5 KG SIZE)
127	BRASS UNION	TD 709	1	
128	PURPLE ARMOURED PIPE	TD 709	1	(24" LENGTH)
129	DASHBOARD UNION		1	
130	" WASHER		1	
131	" OUTLET TUBE	752-22-12	3-7-9	1

ISSUE	SIGNATURE	DATE
1	JRHedroyc	18-4-75

SECTION A3

Item	Ref. No.	Matrix	No. Off	Detail
132 DASHBOARD OUTLET TUBE NUT	TD 713		1	
133 " " " OLIVE	TD 712		1	
134 COCKPIT NOZZLE	TD 709		1	
135 TYRAP - MEDIUM			6	
FIRE PULL HANDLE TO COCKPIT				
FIRE LEVER				
136 CLEVIS			1	
137 CLEVIS PIN			1	
138 " " WASHER			1	
139 " " SPLIT PIN			1	
140 SOLDER-ON NIPPLE			1	
141 CABLE ADJUSTER AND LOCKNUT			1	
142 INNER CABLE			1	
143 FERRULE			1	
144 OUTER CABLE			1	
145 FERRULE			1	
146 CABLE ADJUSTER AND LOCKNUT			1	
147 SOLDER-ON NIPPLE			1	
148 CLEVIS			1	
149 CLEVIS PIN			1	
150 " " SPLIT PIN			1	
COCKPIT FIRE LEVER ASSEMBLY	752-22-03		1	
COMPRISES:				
151 COCKPIT FIRE LEVER	752-22-04		1	
152 " " " BADGE	752-22-08		1	
153 " " " BOLT	TD 529		1	(2BA x 1/2" BH)
154 " " " SPRING WASHER	TD 367		1	(2BA SQ. SEC.)
155 " " " WASHER	TD 365		1	(2BA T & C)
156 " " " LABEL			1	(RED AND WHITE)
MONOCOQUE GROMMETS				
157 DASHBOARD GROMMET			1	(1 1/2" O.D. 1" I.D.)
158 " "			2	(1" O.D. 5/8" I.D.)
159 " BLANKING GROMMET			1	(1/2" HOLE SIZE)
160 REAR DIAPHRAGM GROMMET			1	(1 1/2" O.D. 3/4" I.D.)

ISSUE	SIGNATURE	DATE
1	JR Helroyd	18-4-75

SECTION A3

Item	Ref. No.	Matrix	No. Off	Detail
<u>MONOCOQUE GROMMETS (CONT'D)</u>				
161 REAR DIAPHRAGM BLANKING GROMMET			1	(1" HOLE SIZE)
162 FIRE EXTINGUISHER CABLE GROMMET			1	($\frac{1}{2}$ " O.D. $\frac{1}{4}$ " I.D.)
163 FRONT SUSPENSION PLATE GROMMET			2	($1\frac{1}{4}$ " O.D. $\frac{3}{4}$ " I.D. WIDE)
164 FLEXI GROMMET			1	
165 FOUR WAY CABLE PULL CYLINDER PIN			1	
166 " " " " " SPLIT PIN			1	
167 RACK MOUNTING BLOCK PLAIN WASHER			2	
168 STEERING COLUMN BOLT			1	
169 " " NYLOC NUT			1	
170 SEAT BELT SHOULDER STRAP WASHER			2	

SECTION F5

Item	Ref. No.	Matrix	No. Off
REAR SUBFRAME LH	753-01-02	1-1-10	1
" " RH	753-01-23	1-1-11	1
ENGINE MOUNTING PAD LH	723-16-03	5-1-6	
WATER PUMP PLATE	753-13-02		
<u>EXHAUST SYSTEM</u>			
Comprising Primaries			
Tailpipe			
<u>THROTTLE CABLE ASSY.</u>			
Comprising Clevis Pin Split Pin			
	TD 29		
	TD 40	8-2-10	1
	TD 41	8-2-11	1
	TD 42	8-2-12	4
	TD 30	8-2-1	
	TD 31	8-2-2	
	TD 32	8-2-3	2
	TD 33	8-2-4	2
	TD 34	8-2-5	1
	TD 35	8-2-6	1
	TD 36	8-2-7	1
	TD 37	8-2-13	
	TD 38	8-2-15	1
	TD 39	8-2-14	1
Adapter Plate Stud			
" Plate	753-16-02	5-1-8	
Starter Motor (M35 Type)	TD 272		1
Input Shaft (MK9 - PINTO)	TD4		1
TACHOMETER (8000) (3:12:1 REDUCTION)	TD 59	8-3-1	1
GAUGE - FUEL PRESSURE/WATER TEMP 10' CAP	TD 67	8-3-5	1
" -OIL PRESSURE/TEMP 10' CAP	TD 67	8-3-5	1
TACHOMETER DRIVE 7'	TD 64	8-3-3	1
<u>FUEL PRESSURE LINE ASSY.</u>			
Comprising Union - 1/8" BSP 90°			
	TD 705		1
Hose - 1/8" BLACK TECALEMIT			
	TD 704		1 in.
Union 1/8" BSP 90°			
	TD 705		1
<u>OIL PRESSURE LINE ASSY.</u>			
Comprising Union 1/8" BSP 90°			
	TD 705		1
Hose - 1/8" BLACK TECALEMIT			
	TD 704		1 in.
Union 1/8" BSP 90°			
	TD 705		1
RXM	753-01-22	5-2-11	1

SECTION F 5

Item

Ref. No.

Matrix

No. Off

RBWB MTG BKT BRACE

733-01-10

1

RBWB MTG BKT PLATE

743-01-10

1

CLUTCH BOBBIN

TD 125

1

91

SECTION (C) TRANSMISSION

(MK9) (PINTO) 753

wobble
at spacer

ITEM	PART NO	NO. OFF PER ASSY.	PROD. RELEASE DATE
RXM SPACER	753-01-44	2	
MONSTER BKT BKT LH			
RLWB MOUNT	733-01-10	1	
RLWB MOUNTING BRACKET	713M-01-58	1	
RLWB MOUNTING PLATE	743-01-10	1	
" " "			
MONSTER BKT	753-01-29	1	1-5-1
MONSTER BKT BKT LH	733-01-06	1	21 JUNE 74 1-2-1
" " BKT RH	733-01-05	1	21 JUNE 74 1-2-2
" " CLEVIS	711-12-22	2	6 SEPT 74 JRH 4-3-4
" " " STUD (6 7/16")	753-01-09	2	6 SEPT 74 JRH 4-3-5
" " TUBE NUT	743-01-04	4	21 JUNE 74 4-3-6
<u>DRIVESHAFT ASSY</u>	722-10-04	2	
COMPRISES WHEEL RETAINING STUD	703-06-08	1	21 JUNE 74 JRH 4-1-8
WHEEL NUT 3/4 UNF FULL	TD 16	1	25 JUNE 74 B 13-1-1
CV JOINT BELL	742-10-03	1	12 AUG 74 JRH 14-1-1
BALL (100AC)	TD 181	6	12 AUG 74 JRH 14-1-2
CAGE (100AC)	TD 182	1	12 AUG 74 JRH 14-1-3
INNER TRACK (100AC)	711-10-10	1	21 JUNE 74 JRH 14-1-4
CIRCLIP (100AC)	TD 180	1	12 AUG 74 JRH 8-1-8
GAITER (100AC)	TD 183	1	12 AUG 74 JRH 14-1-5
DRIVESHAFT	732-10-01	1	29 JULY B 4-3-7
CIRCLIP (89ST)	TD 174	1	12 AUG 74 JRH 8-1-9
INNER TRACK (89ST)	TD 179	1	12 AUG 74 JRH 14-1-6
CAGE (89ST)	TD 176	1	12 AUG 74 JRH 14-1-7
BALLS (89ST)	TD 175	6	12 AUG 74 JRH 14-1-8
OUTER HOUSING (89ST)	TD 177	1	12 AUG 74 JRH 14-1-9
GAITER (89ST)	TD 183	1	12 AUG 74 JRH 8-1-10
TYRAP (LARGE)	TD 195	2	12 AUG 74 JRH 8-3-15
DRIVESHAFT BOLT	722-10-10	6	9 AUG 74 JRH 12-1-2
		2	
BRAKE DISC - REAR	753-26-01	2	2 OCT 74 JRH 7-1-2
FRONT GEAR ROD	75R-11-19		3-5-3
REAR GEAR ROD	743-11-01	1	3-5-4
REAR CALIPER MTG BLOCK	743-10-09	2	28 AUG 74 JRH 5-1-5

TRANSMISSION CONT

IONS & BOLT STUD L 743-01-05 2
 S 743-01-12 2

21 JUNE 70 D 4.6.2
 21 JUNE 70 B 4.6.3

REAR SHID

GEAR BOX ASSEMBLY "MK9" TD 2

COMPONENTS

GEARBOX
 OUTPUT FLANGE
 CLUTCH SLAVE CYLINDER } NR
 PUSH ROD
 INPUT SHAFT CIRCLIP
 OUTPUT FLANGE CIRCLIP }

DRIVESHAFT BOLTS

(G1)

MK 9 PINTO

753

SECTION (G)

TRANSMISSION (CONT'D)

ITEM	PART NO	NO. OFF PER ASSY.	PROD. RELEASE DATE
GEARBOX ASSEMBLY "MK 9"			
COMPRISES GEARBOX	TD 2	1	12 NOV 74 TRH
OUTPUT FLANGE	TD 3	2	12 NOV 74 JRH
CLUTCH RELEASE BEARING	TD 27	1	12 NOV 74 12 NOV 74 JRH
CLUTCH SLAVE CYLINDER			
PUSH ROD. + END	TD 6	1	12 NOV 74 TRH
OUTPUT FLANGE CIRCLIP	TD 106	2	12 NOV 74 JRH
INPUT SHAFT CIRCLIP	TD 4	1	12 NOV 74 JRH
CLUTCH SLAVE BRKT.	TD 5.	1	12 NOV 74 TRH
GEARBOX END COVER	732-16-09	1	29 AUG 74 JRH
DRIVE SHAFT BOLTS			
MONSTER BRKT STUD (LONG)	743-01-05		
MONSTER BRKT STUD (SHORT)	743-01-12.		

ISSUE	SIGNATURE	DATE
1	<i>R. Holwey</i>	18-4-75

SECTION C3

Item	Ref. No.	Matrix	No. Off	Detail
1 TOP RADIUS ARM (TOYOTA)	753-03-01	3-3-1	2	(26.50" LENGTH)
2 " " " (BMW)	75R-03-04	3-3-8	2	(27.37" LENGTH)
3 BOTTOM RADIUS ARM	753-03-02	3-3-2	2	(24.50" LENGTH)
4 RADIUS ARM FORWARD FIXING BOLT	TD 236	12-5-9	4	($\frac{3}{8}$ " UNF x $2\frac{3}{4}$ " CH)
5 " " " NYLOC NUT	TD 380	13-3-3	4	($\frac{3}{8}$ " UNF FULL)
6 RADIUS ARM REARWARD: FIXING BOLT	TD 231	12-5-4	4	($\frac{3}{8}$ " UNF x $1\frac{1}{2}$ " CH)
7 " " " NYLOC NUT	TD 380	13-3-3	4	($\frac{3}{8}$ " UNF FULL)
8 **TOP CLEVIS	703-03-19	4-3-2	2	**
9 " " UPRIGHT WASHER	712-03-20	4-2-15	2	
10 " " PLAIN WASHER	TD 326	20-1-10	2	($\frac{1}{2}$ " T & C)
11 " " NYLOC NUT	TD 375	13-3-11	2	($\frac{1}{2}$ " UNF HALF)
12 BOTTOM CLEVIS	703-03-27	4-3-3	2	
13 " " UPRIGHT WASHER	712-03-20	4-2-15	2	
14 " " PLAIN WASHER	TD 326	20-1-10	2($\frac{1}{2}$ "	T & C)
15 " " NYLOC NUT	TD 382	13-3-5	2	($\frac{1}{2}$ " UNF FULL)
16 REAR CROSSMEMBER PLATE	752-01-34	3-2-7	2	
17 " " "	753-01-54		2	
18 REAR CROSSMEMBER DOUBLE SHEAR PLATE LH	753-01-21	3-4-2	1	
19 " " " " " RH	753-01-20	3-4-1	1	
20 " " " " " BOLT	TD 226	12-4-14	2	(5/16" UNF x 4" CH)
21 " " " " " PLAIN WASHER	TD 323	20-1-7	2	(5/16" T & C)
22 " " " " " PLATE NYLOC NUT	TD 379	13-3-2	2	(5/16" UNF FULL)
23 TOP LINK	703-03-06	4-6-6	2	($4\frac{1}{2}$ " LENGTH)
24 " " INNER ROSE JOINT LOCKNUT	TD 389	13-4-10	2	($\frac{1}{2}$ " UNF HALF)
25 " " OUTER ROSE JOINT LOCKNUT	TD 402	13-4-14	2	($\frac{1}{2}$ " UNF LH HALF)
26 REAR BOTTOM WISHBONE	733-03-01	3-1-9	2	
27 RBWB SLEEVE NUT	703-03-05	4-2-9	2	
28 " OUTER REAR ROSE JOINT LOCKNUT	TD 390	13-4-11	2	($\frac{5}{8}$ " UNF HALF)
29 " " " " " BOLT	TD 526	12-7-9	2	($\frac{1}{2}$ " UNF x $3\frac{1}{2}$ " CH)
30 " " " " " UPRIGHT WASHER	712-03-20	4-2-15	4	
31 " " " " " PLAIN WASHER	TD 326	20-1-10	2	($\frac{1}{2}$ " T & C)
32 " " " " " NYLOC NUT	TD 382	13-3-5	2	($\frac{1}{2}$ " UNF FULL)
33 RBWB INNER ROSE JOINT CIRCLIP	TD 120	8-2-9	4	
34 " " " " " BOLT	TD 237	12-5-10	2	($\frac{3}{8}$ " UNF x 3" CH)
35 " " " " " SPACER	712-02-09	4-2-12	4	
36 " " " " " PLAIN WASHER	TD 326	20-1-10	2	($\frac{1}{2}$ " T & C)

ISSUE	SIGNATURE	DATE
1	J. Helweyd	18-4-75

SECTION C3

Item	Ref. No.	Matrix	No. Off	Detail
37 RBWB INNER ROSE JOINT NYLOC NUT(TD 380	13-3-3	2	($\frac{3}{8}$ " UNF FULL)
38 REAR DAMPER	TD 14	16-1-15	2	(175/55 BILSTEIN)
39 " " INSERT	712-02-09	4-2-12	4	
40 " " TOP BOLT	TD 539	12-5-13	2	($\frac{3}{8}$ " UNF x $3\frac{3}{4}$ " ch)
41 " " TOP SPACER	753-01-52	4-15-15	2	
42 " " TOP NYLOC NUT	TD 373	13-3-9	2	($\frac{3}{8}$ " UNF HALF)
43 " " BOTTOM BOLT	TD 526	12-7-9	2	($\frac{1}{2}$ " UNF x $3\frac{1}{2}$ " CH)
44 " " BOTTOM UPRIGHT WASHER	712-03-20	4-2-15	4	
45 " " BOTTOM PLAIN WASHER	TD 326	20-1-10	2	($\frac{1}{2}$ " T & C)
46 " " BOTTOM NYLOC NUT	TD 382	13-3-5	2	($\frac{1}{2}$ " UNF FULL)
47 REAR SPRING	TD 122	16-1-2	2	(8" x 220 lb)
48 TYRAP - LARGE	TD 195	8-3-15	2	
49 REAR ANTI-ROLL BAR	733-05-04	2-1-11	1	($\frac{7}{8}$ " DIA x 16g)
50 RARB MOUNTING	733-05-05	4-2-3	4	($\frac{7}{8}$ " ID)
51 " " BOLT	TD 207	12-3-5	4	($\frac{1}{4}$ " UNF x 2" CH)
52 " " PLAIN WASHER	TD 322	20-1-6	4	($\frac{1}{4}$ " T & C)
53 " " NYLOC NUT	TD 371	13-3-7	4	($\frac{1}{4}$ " UNF HALF)
54 RARB CLAMP	712-05-06	1-2-10	2($\frac{7}{8}$ " ID)	
55 " " BOLT	TD 204	12-3-2	2	($\frac{1}{4}$ " UNF x $1\frac{1}{4}$ " CH)
56 " " NYLOC NUT	TD 378	13-3-1	2	($\frac{1}{4}$ " UNF FULL)
57 RARB LINK	712-05-08	1-2-8	2	($9\frac{3}{4}$ " LENGTH)
58 " " TOP BOLT	TD 216	12-4-3	2	(5/16" UNF x 1" CH)
59 " " TOP NYLOC NUT	TD 372	13-3-8	2	(5/16" UNF HALF)
60 " " BOTTOM BOLT	TD 224	12-4-11	2	(5/16" UNF x 3" CH)
61 " " BOTTOM FORWARD WASHER	703-02-12	4-1-15	2	
62 " " BOTTOM REARWARD WASHER	722-05-12	4-1-14	2	
63 " " BOTTOM NYLOC NUT	TD 379	13-3-2	2	(5/16" Unf Full)
64 " " ROSE JOINT LOCKNUT	TD 386	13-4-7	4	(5/16" UNF HALF)
** TO BE SUPERSEDED BY: CLEVIS	75R-03-03	4-6-14		
WHEN 703-03-19 STOCKS	WASHER	712-03-20	4-2-15	
EXHAUSTED				

753 TO 763 UPDATE KIT
(NOVA MOTOR-TOYOTA ENGINE)

ISSUE	SIGNATURE	DATE
6	ScB	15 DEC 75
7	ScB	20 JAN 76

SHEET 1 OF 5

SECTION 02

Item	Ref. No.	Matrix	No.	
			Off	Detail
ROLL-OVER BAR	762-01-68		1	
" " " STAY	753-01-86		2	
ELECTRIC FIRE EXT. SYSTEM		29-3-3	+	
ELECTRIC LIFE SUPPORT SYSTEM		29-1-4	1	
FRONT TOP WISHBONE	763-02-01	32-1-5	2	
FRONT DAMPER (KONI 1204B SP6)	TD 12	16-1-12	2	
STEERING ARM PLATE	763-04-03	1-7-4	4	
FRONT ANTI-ROLL BAR	753-05-04	2-8-8	1	
" " " " MOUNT	732-05-05	4-2-2	4	
" " " " CLAMP	763-05-01	1-7-2	2	
TOP RADIUS ARM	763-03-04	3-3-10	2	
BOTTOM RADIUS ARM	741-03-01	3-3-11	2	
REAR DAMPER (KONI 1180B SP6)	TD 15	16-1-13	2	
REAR HELPER SPRING	TD 683	16-3-10	2	
REAR SPRING ABUTMENT	753-02-06	4-27-9	2	
FRONT UPRIGHT L.H.	751-06-03	4-38-8	1	
" " R.H.	751-06-02	4-38-9	1	
REAR WHEEL (10" COMPOSITE)			2	
CLUTCH PEDAL	752-08-09	2-7-13	1	
BRAKE "	752-08-10	2-7-14	1	
THROTTLE "	751-08-04	2-7-15	1	
ENGINE SIDEFAME L.H.	763-01-03	2-9-1	1	
" " R.H.	763-01-02	2-9-2	1	
" MOUNTING PAD L.H.	753-16-24	6-3-9	1	
" " " R.H.	753-16-25	6-3-10	1	
REAR CROSS MEMBER	763-01-07		1	
" " " SPACER	763-01-11	4-31-1	1	
R.X.M. PLATE III			4	
" DOUBLE SHEAR PLATE			2	
THROTTLE CABLE	TD 31	8-2-2	1	
" " SHEATH	TD 30	8-2-1	1	
" " NIPPLE	TD 34	8-2-5	2	

753 TO 763 UPDATE KIT
(NOVAMOTOR-TOYOTA ENGINE)

SHEET 2 OF 5

SECTION 02

ISSUE	SIGNATURE	DATE
6	ScB	20 JAN 76

Item	Ref. No.	Me		
GEARBOX END COVER	763-16-02	6-3-11	1	
FRONT GEAR ROD	763-11-01	3-5-3	1	
GEAR CHANGE SUPPORT	753-11-02	3-19-7	1	
" LEVER	762-11-04	4-27-1	1	
" SHAFT	762-11-03	4-27-6	1	
" LEVER SPACER	762-11-06	4-27-3	1	
" " " NUT	TD 378	13-3-1	1	
" " BADGE	752-11-05	8-6-10	1	
" CHANGE BEARING LINK	762-11-05	4-27-4	1	
" " " LOCK NUT	TD 385	13-4-6	1	
" " " SCREW	TD 204	12-3-2	1	
SPHERICAL JOINT LOCK NUT	TD 389	13-4-10	1	
OIL TANK	763-14-01	3-20-1	1	
" " MOUNTING RUBBER			2	
" " MOUNT	763-01-15	3-23-13	2	
			1	
HOSE - OIL TANK TO OIL PUMP	TD 295	21-2-12	1	
HOSE - OIL PUMP SCAVENGE TO OIL TANK	TD 295	21-2-12	1	
RADIATOR	763-13-02	27-2-7	1	
" STONEGUARD TIE ROD	763-13-03	2-4-5	1	
WATER PIPE - RADIATOR TO WATER PUMP			1	
SWIRL POT	763-13-06	2-3-14	1	
HEADER TANK	763-13-01	2-3-5	1	
FUEL HOSE - PANCAKE FILTER TO METERING UNIT (43")	TD 292	21-2-9	1	
FUEL HOSE - METERING UNIT TO COLLECTOR POT (50")	TD 292	21-2-9	1	
FUEL FILLER	762-15-07	3-23-5	1	
FUEL BREATHER VALVE	763-15-02		1	
GEAR LEVER LOCATION BEARING	TD 1013	15-2-12	2	RMC 5U
HOSE - BULKHEAD ADAPTOR TO R.H. REAR CALIPER	TD 290		1	-3 AEROGUIP

753 TO 763 UPDATE KIT
(NOVAMOTOR-TOYOTA ENGINE)

SHEET 3 OF 5

ISSUE	SIGNATURE	DATE
P6	ScB	19 DEC 75
7	ScB	20 JAN 76

SECTION 02

Item	Ref. No.	MATRIX	NO.
MASTER SWITCH MOUNTING BRACKET	762-01-74	3-23-6	1
REAR CRASH LIGHT	TD 715	9-5-11	1
" " " LENS	TD 716	9-5-10	1
" " " BULB	TD 717	9-5-9	1
NOSE		11-3-15	1
W FLAP LH			1
W FLAP RH			1
NOSE FRAME & BATTERY BOX	763-01-23	1-7-8	1
COCKPIT		11-5-1	1
ROLLOVER BAR COVER		11-5-6	1
REAR ENGINE COVER		11-5-5	1
REAR WING	763-12-01	3-22-1	1
" " FLAP	763-12-07	3-22-3	1
MIRROR MOUNT	762-01-73		2
ELECTRIC EXTINGUISHER OPERATING HEAD	TD 1005	29-2-12	2
BATTERY POWER PACK	} TD 1006	29-1-6	1
2-PIN PLUG.			1
FIRING BUTTON	TD 274	9-1-2	2
" " BRACKET	722-01-64	3-19-11	1
EXTINGUISHER MASTER SWITCH	TD 428	9-1-15	1
" " TERMINALS	TD 629	9-2-9	5
" " SHEATH	TD 630	9-2-10	5
" 2-WAY RECEPTACLE HSC	TD 634	9-2-14	3
" " TAB "	TD 635	9-2-15	3
" RECEPTACLE	TD 953	9-3-11	6
" TAB	TD 637	9-3-2	6
" CABLE			3556 FEPSIL 18
MASTER SWITCH LEVER	762-01-72	3-23-8	1
" " SHAFT	762-01-65	4-30-1	1
BATTERY BOX LID	762-01-87	3-23-10	1
" " STUD	762-01-85	4-30-2	2
FIRE PULL HANDLE	751-22-01	3-23-11	1

753 TO 763 UPDATE KIT
 (NOVA MOTOR-TOYOTA ENGINE)
 SHEET 4 OF 5

ISSUE	SIGNATURE	DATE
P10	ScB	10 DEC 75
P11	ScB	18 DEC 75
P12	ScB	23 DEC 75
P13	ScB	6 JAN 76
P14	ScB	20 JAN 76

SECTION 02

Item	Ref. No.	MATRIX	NO OFF	DETAIL
OIL TANK FILTER HOUSING	762-14-06	4-33-2	1	
" " " GAUZE	762-14-07	3-23-14	1	
" TEMP TAKE-OFF BOSS	762-14-04	4-33-3	1	
MASTER SWITCH ASSY NUTS	TD 412	13-1-2	3	2 BA PLAIN FULL
FIRE - PULL CLEVIS	TD 35	8-2-6	1	
" " " PIN	TD 36	8-2-7	1	
" " SPLIT PIN	TD 40	8-2-10	1	
" " HANDLE GROMMET	TD 999	8-15-1	1	
HEADER TANK MOUNTING BOLT	TD 544	12-11-2	2	$\frac{1}{2}$ UNF x $\frac{3}{4}$ H H
" " " WASHER	TD 340	20-1-1	2	$\frac{1}{2}$ FLAT
" " " RAWLNUT	TD 1031	23-3-1	2	$\frac{1}{2}$ UNF
MASTER SWITCH BRACKET BOLT	TD 545	12-11-3	2	$\frac{1}{2}$ UNF x 1 H H
" " " NUT	TD 378	13-3-1	2	$\frac{1}{4}$ UNF NYLOC
" " " WASHER	TD 340	20-1-1	4	$\frac{1}{4}$ FLAT
" " " BUSH	TD 84	8-8-4	2	$\frac{1}{4}$ x $\frac{5}{8}$ x $\frac{1}{2}$
" " MOUNTING BOLT	TD 530	12-18-11	2	4 BA x 1 CH
" " " NUT	TD 418	13-1-12	2	4 BA NYLOC
" " " WASHER	TD 353	20-2-9	2	4 BA FLAT
" " LEVER BOLT	TD 530	12-18-11	2	4 BA x 1 CH
FIRE EXTINGUISHER STRIKER BOLT	TD 540	12-2-15	1	2 BA x $\frac{3}{4}$ B H
F.T.W.B. REAR SPACER	763-02-03	4-31-4	2	
OIL TANK DRAIN PLUG	762-14-23	4-33-13	1	
" " " " SEAL	TD 1025	20-3-4	1	
FUEL FILLER BRACKET	762-01-100	3-26-3	1	
GIRLING MASTER CYLINDER (.75)	TD 1078	7-3-14	2	
" " " (.70)	TD 1079	7-3-15	1	
" " " RESERVOIR	TD 1120	7-3-13	3	
STEERING ARM PLATE	763-04-03	1-7-4	4	
EXHAUST BRACKET	763-01-25	3-26-4	1	
BATTERY BOX LID	762-01-87	3-23-10	1	
" " " R CLIP	TD	23-7-1	3	
MIRROR MOUNT	763-01-26	3-26-9	2	
BATTERY BOX SPACER	763-01-22	3-26-10	1	
NOSE FRAME TOP SPACER	762-04-04	3-31-15	2	
FUEL BREATHER VALVE	763-15-02	4-33-8	1	
ENGINE COVER SUPPORT	763-01-27	3-26-15	1	
REAR DAMPER BOTTOM SPACER	702-16-03	4-20-13	2	
ALLOY STEERING COLUMN JOINT	TD 900	2-2-7	1	

753 TO 763 UPDATE KIT
(NOVAMOTOR - TOYOTA ENGINE)

SHEET 5 OF 5

SECTION 02

ISSUE	SIGNATURE	DATE
1	S.B.	20 JAN 76
2	Schattenworth	23 JAN 76
3	Schattenworth	28 JAN 76
4	Schattenworth	4 FEB 76
5	Schattenworth	12 MAR 76

Item	Ref. No.	Matrix	No. Off	Detail
ENGINE COVER FRONT SUPT. BKT. L.H.	762-01-123	3-31-14	1	
" " " " " R.H.	762-01-122	3-31-13	1	
GEAR SELECTOR STOP SPRING CAP	763-16-14	4-37-10	1	
SIDE POD L.H.		11-5-8	1	
" " R.H.		11-5-9	1	
WATER PIPE - RADIATOR TO PUMP	763-13-09	3-28-7	1	
" " - ENGINE TO RADIATOR PATTERN		3-28-8	1	

ENGINE INSTALLATION KIT - 753 TOYOTA

SHEET 1 OF 3

ISSUE	SIGNATURE	DATE
1	<i>J. Helroyd</i>	18-4-75

SECTION F7

Item	Ref. No.	Matrix	No. Off	Detail
1			1	
ENGINE (NORMALLY SUPPLIED BY CUSTOMER)				
2	743-01-18		1	
ENGINE SIDEFAME LH				
3	743-01-17		1	
" " RH				
4	TD 526		2	($\frac{1}{2}$ " UNF x $3\frac{1}{2}$ " CH)
" " TOP MOUNTING BOLT				
5	TD 338		2	($\frac{1}{2}$ " SQ. SEC.)
" " " " BOLT SPRING WASHER				
6	TD 525		2	($\frac{1}{2}$ " UNF x 4" CH)
" " BOTTOM MOUNTING BOLT				
7	TD 338		2	($\frac{1}{2}$ " SQ. SEC.)
" " " " SPRING WASHER				
8	TD 255		2	($\frac{1}{2}$ " UNF x $1\frac{1}{2}$ " CH)
" " ENGINE PAD BOLT				
9	TD 338		2	($\frac{1}{2}$ " SQ. SEC.)
" " " " SPRING WASHER				
10	743-16-06		1	
ENGINE MOUNTING PAD LH				
11	743-16-07		1	
" " " RH				
12			4	(12mm x
" " " BOLT				
13			4	
" " " SPRING WASHER				
14			4	
" " " WASHER				
15			7	(8mm x
" " " BOLT				
16			1	
" " " BOLT				
17			1	
" " " WASHER				
18			1	($\frac{1}{4}$ " THICK)
" " " SIDEFAME SPACER LH				
19			1	
ENGINE STARTER MOTOR (NORMALLY SUPPLIED WITH ENGINE)				
20			1	
ENGINE STARTER MOTOR BOLT				
21			1	
" " " WASHER				
22			1	
" " " NYLOC NUT				
23	743-16-12		1	
ENGINE ADAPTOR PLATE				
24			4	
" " " BOLT				
25			4	
" " " WASHER				
26			1	(THIN-HEAD)
" " " BOLT				
27			1	(FLAT THIN)
" " " WASHER				
28	753-01-22		1	
REAR CROSSMEMBER				
29			2	
" " SIDEFAME BOLT				
30			2	
" " " SPRING WASHER				
31	753-01-44		2	
" " GEARBOX SPACER				
32	753-01-41		1	
REAR SKID				
33			3	
" " BOLT				

ENGINE INSTALLATION KIT - 753 TOYOTA

ISSUE	SIGNATURE	DATE
1	JRHolwood	18-4-75

SHEET 2 OF 3

SECTION F7

Item	Ref. No.	Matrix	No. Off	Detail
34 REAR SKID WASHER			3	
35 " " NYLOC NUT			3	
ENGINE EXHAUST SYSTEM				
COMPRISES:				
36 PRIMARY PIPE			4	
37 TAIL PIPE			1	
38 " " SPLIT PIN			2	
39 ENGINE EXHAUST FLANGE NUT			5	(BRASS-8mmCOARSE)
40 " " " STUD			5	
41 ENGINE EXHAUST BRACKET	753-16-04		1	
42 " " " BOLT			2	
43 " " " JUBILEE CLIP			1	
44 GEARBOX INPUT SHAFT	TD 102		1	
45 " " " CIRCLIP			1	
46 " CLUTCH BOBBIN	753-16-05	4-12-2	1	(SINGLE PLATE)
ENGINE THROTTLE CABLE ASSEMBLY				
COMPRISES:				
47 PEDAL CLEVIS	TD 35		1	
48 " " WASHER			1	
49 " " SPLIT PIN	TD 40		1	(1/16"DIA x 1" LONG)
50 SOLDER-ON NIPPLE			1	
51 INNER CABLE	TD 31		1	
52 CABLE ADJUSTER	TD 32		1	
53 FERRULE	TD 33		1	
54 INNER CABLE LINER	TD 37		1	
55 OUTER CABLE	TD 30		1	
56 FERRULE	TD 33		1	
57 CABLE ADJUSTER	TD 32		1	
58 CABLE ADJUSTER NUT			1	
59 SOLDER-ON NIPPLE			1	
60 CLEVIS	TD 35		1	
61 CLEVIS PIN	TD 36		1	
62 " " WASHER			1	
63 " " SPLIT PIN	TD 40		1	(1/16"DIA x 1" LONG)
64 METERING UNIT THROTTLE BRACKET			1	

753 Toyota Loose Parts Check List

Chassis No.

SECTION P2 Sheet 1 of 2

	Item	Ref. No.	Matrix	No. Off
1	Set Exhaust Primary Pipes			
1	Tail Pipe			
2	Tail Pipe Split Pin			
2	Jubilee Clip () ()			
1	Engine Mtg Pad	743-16-06		
1	Engine Mtg Pad	743-16-07		
8	Metric Bolt 8mm x			
8	Wavy Washer 8mm			
3	Metric Bolt x			
3	T X C Washer			
3	S/C Spring Washer			
1pr	W Flaps			
2	Mirror Mtg	753-17-01		
24"	Ht Lead C/W Lucas Coil, Bosch Distributor Ends			
15 1/2"	SP/HT Bleed C/W 2 St. Unions			
21 1/2"	Rad/HT Bleed C/W 2 St Unions			
54"	5/8 ID HT/WP Rubber Hose			
1	1/2 BSP/-12 Oil Pump Adaptor			
1	mm/-12 Cyl Block Adaptor	753-14-03		
2	1/2 BSP/-12 Oil Pump Extension Adaptor			
2	Jubilee Clip (16 - 22mm) '0'			
1	Clutch Release Brg (Bobbin)			
37"	-12 Aeroquip Hose C/W 2 90° Unions			
50"	12 Aeroquip Hose C/W 1 90° 1 45° Union			
21"	-12 Aeroquip Hose C/W 1 90° 1 45° Union			
17 1/2"	-12 Aeroquip Hose C/W 2 90° Unions			
	* Not supplied as standard equipment see option page			
2	-6 Aeroquip Hose Ferrule	752-15-05		
2	Jubilee Clip ()			
1	3/4 OD/ 1/2 OD Breator Adaptor			
27"	1/2 ID Clear Plastic Hose			
2	Jubilee Clip (13-19mm)			
4	Adaptor Plate Bolt 12mm x			
1	Adaptor Plate Bolt 12mm x	753-		
5	Wavy Washer			

*

Chassis No. _____

753 Toyota Loose Parts Check List

SECTION P2 Sheet 2 of 2

Item	Ref. No.	Matrix	No. Off
1 Subframe Bolt 1/2 UNF x 1" C.H.	TD 254		
1 Subframe Bolt 1/2 UNF x 2 1/4 C.H.	TD 257		
2 S/C Spring Washer	TD 332		
1 Temp Sendor Copper Washer			
** 1 Thermostat Housing			
7 Jubilee Clip (28 - 41mm) 'IX'			
1 Jubilee Clip (38 - 54mm)			
1 Rubber Elbow 1 1/4 x 1 3/8			
1 Rad/Wd Pipe C/W HT Take Off			
4" 1 1/4 ID Rubber Hose			
1 Throttle Bkt			
1 Throttle Bkt			
1 Clutch Push Rod			
3 Locknut 3/8 UNF	TD 6		
1 Clutch Push Rod End			
12" Lt Coil Lead C/W 2BA Connectors			
** Not supplied as standard equipment see special order list.			
*** 2 Front Wheel 13 x 8	703-09-01		
‡ 2 Tyre			
*** 2 Rear Wheel 13 x 10	703-09-03		
‡ 2 Tyre			
*** 2 Front Wheel Washer Assy.	712-07-10		
‡ 2 Rear Wheel Washer Assy.	712-07-10		
4 Wheel Nut	TD 16		

I confirm that I have received the above chassis number as ordered and I have checked that the loose parts listed on the 2 sheets herewith are packed together with it.

Signed by Customers Rep/Carrier

BLOCK CAPITALS

Date

*** Check option page delete part no if different spec supplied.

‡ Check type and enter on kit list front page.

ISSUE	SIGNATURE	DATE
1	R. Helweg	18-4-75

SECTION H7

Item	Ref. No.	Matrix	No. Off	Detail
1 OIL TANK	753-14-01	3-6-1	1	
2 " " MOUNTING RUBBER			3	
3 " " " WASHER			6	
4 " " " NYLOC NUT			3	
5 " " TIE-ROD	753-01-48	3-9-4	1	
6 " " " " BOLT	TD 208	12-3-6	1	($\frac{1}{4}$ " UNF x $2\frac{1}{4}$ " CH)
7 " " " " WASHER	TD 322	20-1-6	1	($\frac{1}{4}$ " T & C)
8 " " " " NYLOC NUT	TD 378	13-3-1	1	($\frac{1}{4}$ " UNF FULL)
OIL TANK CAP ASSEMBLY				
COMPRISES:				
9 CAP	742-14-03	4-6-4	1	
10 O-RING	TD 70	8-8-9	1	
11 FOAM CYLINDER	TD 69	8-5-15	1	
12 SPINDLE	742-14-17	4-11-15	1	
13 BIGHEAD END WASHER	TD 71	8-5-14	2	
14 OIL TANK OUTLET UNION	TD 309	21-2-2	1	(-12 45° AEROQUIP)
15 HOSE-OIL TANK TO OIL PUMP (36" LENGTH)	TD 295	21-2-12	1	(-12 AEROQUIP)
16 OIL PUMP INLET UNION	TD 316	21-2-3	1	(-12 90° AEROQUIP)
17 " " " ADAPTOR			1	
18 OIL PUMP OUTLET ADAPTOR			1	
19 " " " UNION	TD 316	21-2-3	1	(-12 90° AEROQUIP)
20 HOSE-OIL PUMP TO OIL FILTER (20" LENGTH)	TD 295	21-2-12	1	(-12 AEROQUIP)
21 OIL FILTER INLET UNION	TD 316	21-2-3	1	(-12 90° AEROQUIP)
22 " " " ADAPTOR	743-14-07	4-13-14	1	
23 " " " " DOWTY WASHER			1	($\frac{1}{2}$ " BSP/-12 MALE/MALE)
OIL FILTER ASSEMBLY				
COMPRISES:				
24 ELEMENT	TD 75	8-7-3	1	
25 HOUSING	TD 74	8-6-14	1	
26 HOUSING WASHER			1	
27 HOUSING BOLT			1	
28 MOUNTING BOLT	TD 231		2	($\frac{3}{8}$ " UNF x $1\frac{1}{2}$ " CH)
29 MOUNTING WASHER	TD 324		2	($\frac{3}{8}$ " T & C)
30 MOUNTING NYLOC NUT	TD 380		2	($\frac{3}{8}$ " UNF FULL)
31 OIL FILTER OUTLET ADAPTOR	743-14-07	4-13-14	1	($\frac{1}{2}$ " BSP/-12

OIL SYSTEM - 753 TOYOTA

ISSUE	SIGNATURE	DATE
1	<i>R. H. H. H. H.</i>	18-4-75

SHEET 2 OF 2

SECTION H7

Item	Ref. No.	Matrix	No. Off	Detail
32 OIL FILTER OUTLET ADAPTOR DOWTY WASHER			1	
33 " " " UNION	TD 302	21-2-1	1	(-12 St AEROQUIP)
34 HOSE-OIL FILTER TO ENGINE BLOCK (28" LENGTH)	TD 295	21-2-12	1	(-12 AEROQUIP)
35 ENGINE BLOCK INLET UNION	TD 316	21-2-3	1	(-12 90° AEROQUIP)
36 " " " ADAPTOR	753-14-03	4-8-10	1	(METRIC/-12 MALE/MALE)
37 OIL PUMP SCAVENGE OUTLET ADAPTOR			1	
38 " " " " UNION	TD 316	21-2-3	1	(-12 90° AEROQUIP)
39 HOSE-OIL PUMP SCAVENGE TO OIL TANK (46" LENGTH)	TD 295	21-2-12	1	(-12 AEROQUIP)
40 OIL TANK INLET UNION	TD 309	21-2-2	1	(-12 45° AEROQUIP)
41 OIL TANK BREATHER PIPE (18" LENGTH)	TD 739		1	($\frac{5}{8}$ " I.D. CLEAR PLASTIC)
42 " " " "JUBILEE CLIP			1	
43 CAM COVER BREATHER PIPE (26" LENGTH)	TD 740		1	($\frac{3}{4}$ " I.D. CLEAR PLASTIC)
44 " " " "JUBILEE CLIP	TD 721		2	(O SIZE)
45 BREATHER BOTTLE	TD 420	8-4-1	1	
46 " " BRACKET	TD 421	8-4-2	1	
47 " " " BOLT	TD 529	12-2-14	4	(2BA x $\frac{1}{2}$ " BH)
48 " " " NYLOC NUT	TD 410		4	(2BA FULL)

ISSUE	SIGNATURE	DATE
1	J.P. Holroyd	18-4-75

SECTION G4

Item	Ref. No.	Matrix	No. Off	Detail
GEARBOX ASSEMBLY				
COMPRISES:				
1	GEARBOX	TD 2	18-1-1	1 (HEWLAND MK9)
2	" OUTPUT FLANGE LH	TD 3	18-1-6	1
3	" " " RH			1
4	" " " CIRCLIP	TD 106		2
5	CLUTCH SLAVE CYLINDER			1
6	" " " BOLT			2
7	" " " WASHER			2
8	" " " SPRING WASHER			2
9	CLUTCH PUSH ROD			1
10	" " " END CAP			1
11	" " " LOCKNUT			3
12	" " " STOP BRACKET			1
13	" " " " " BOLT			2
14	" " " RETURN SPRING			1
15	GEARBOX ADAPTOR PLATE STUD			2
16	" " " WASHER			2
17	" " " SPRING WASHER			2
18	" " " NUT			2
19	RBWB MOUNTING BRACKET	713M-01-58	5-1-4	1
20	" " " STUD			2
21	" " " WASHER			2
22	" " " SPRING WASHER			2
23	" " " NUT			2
DRIVESHAFT ASSEMBLY				
COMPRISES:				
24	REAR DISC	753-26-01	7-1-2	1
25	PLUNGE JOINT HOUSING	TD 177	14-1-9	1 (89 ST JOINT)
26	" " " BOLT	722-10-10	12-1-2	6
27	" " CAGE	TD 176	14-1-7	1 (89 ST JOINT)
28	" " BALL	TD 175	14-1-8	6 (89 ST JOINT)
29	" " INNER TRACK	TD 179	14-1-6	1 (89 ST JOINT)
30	" " GAITER	TD 183	14-1-5	1
31	" " " TYRAP	TD 195	8-3-15	1 (LARGE SIZE)
32	DRIVESHAFT INNER CIRCLIP	TD 174	8-1-9	1

TRANSMISSION - 753 TOYOTA

ISSUE	SIGNATURE	DATE
1	JRHolroyd	18-4-75

SHEET 2 OF 2

SECTION G4

Item	Ref. No.	Matrix	No. Off	Detail
<u>DRIVESHAFT ASSEMBLY (CONT'D)</u>				
33	DRIVESHAFT	732-10-01	1	
34	DRIVESHAFT OUTER CIRCLIP	TD 180	8-1-8	1
35	CONSTANT VELOCITY JOINT GAITER	TD 183	14-1-5	1
36	" " " " TYRAP	TD 195	8-3-15	1 (LARGE SIZE)
37	" " " BELL	722-10-03	14-1-1	1 *(100 AC JOINT)
38	" " " CAGE	TD 182	14-1-3	1 (100 AC JOINT)
39	" " " BALL	TD 181	14-1-2	6 (100 AC JOINT)
40	" " " INNER TRACK	711-10-10	14-1-4	1 (100 AC JOINT)
41	WHEEL RETAINING STUD	703-06-08	4-1-8	1
42	" " NUT	TD 16	13-1-1	1 ($\frac{3}{4}$ " UNF FULL)
43	FRONT GEAR ROD	75R-11-19	3-5-8	1
44	" " " LOCKNUT			1
45	" " " REAR BOLT			1
46	" " " REAR NUT			1
47	" " " ROSEJOINT LOCKNUT			1
48	REAR GEAR ROD	753-11-01	3-5-4	1
49	" " " REAR BOLT			1
50	" " " REAR NUT			1
51	RLWB MOUNT	733-01-10	5-1-9	1
52	" " SIDEPLATE BOLT			2 ($\frac{3}{8}$ " UNF x $2\frac{1}{4}$ " CH)
53	" " " WASHER			2
54	" " " NYLOC NUT			2
55	RLWB BRACE	733-01-11	3-1-8	1
56	" " BOLT			2 ($\frac{3}{8}$ " UNF x 3" CH)
57	" " WASHER			4
58	" " NUT			2
59	CLUTCH RELEASE BEARING	TD 27		1

WATER SYSTEM - 753 TOYOTA

SHEET 1 OF 2

ISSUE	SIGNATURE	DATE
1	JRHolroyd	18-4-75

SECTION I7

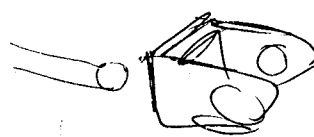
Item	Ref. No.	Matrix	No. Off	Detail
1 RADIATOR LH	753-13-03	27-1-1	1	(WATER ONLY)
2 " MOUNTING SPACER			1	($\frac{3}{8}$ " LENGTH)
3 " " BOLT			2	
4 " " WASHER			2	
5 " " NYLOC NUT			2	
6 RADIATOR STONEGUARD	75R-13-05	2-4-1	1	
7 RADIATOR TIE-ROD	753-01-04	3-8-13	1	
8 " " " BOLT			1	
9 " " " METALASTIC BUSH			1	
10 " " " NYLOC NUT			1	
11 " " " MOUNTING	732-05-05		2	(1" I.D.)
12 " " " " BOLT	TD 207	12-3-5	2	($\frac{1}{4}$ " UNF x 2" CH)
13 " " " " WASHER	TD 322	20-1-6	2	($\frac{1}{4}$ " T & C)
14 " " " " NYLOC NUT	TD 378	13-3-1	2	($\frac{1}{4}$ " UNF FULL)
15 RUBBER HOSE-RADIATOR TO WATER PIPE (3" LENGTH)	TD 753	8-4-7	1	(1 $\frac{1}{4}$ " I.D.)
16 " " JUBILEE CLIP	TD 725	25-1-8	2	(IX SIZE)
17 WATER PIPE (RADIATOR TO WATER PUMP)	753-13-05	2-4-8	1	
18 90° RUBBER HOSE BEND-WATER PIPE TO WATER PUMP	TD 22		1	(1 $\frac{1}{4}$ " I.D.)
19 " " " BEND JUBILEE CLIP			1	(IX SIZE)
20 WATER PUMP INLET JUBILEE CLIP			1	
21 ENGINE THERMOSTAT HOUSING	753-13-07	3-9-7	1	
22 " " " BOLT			2	
23 " " " SPRING WASHER			2	
24 " " " WASHER			2	
25 " " " RUBBER HOSE (3" LENGTH)			1	
26 " " HOUSING JUBILEE CLIP			2	IX SIZE)
27 SWIRL POT	753-13-04	2-3-6	1	
28 RUBBER HOSE-SWIRL POT TO RADIATOR (5" LENGTH)			1	
29 " " JUBILEE CLIP			2	(IX SIZE)
30 HEADER TANK	752-13-06	2-3-2	1	
31 " " MOUNTING BOLT			2	
32 " " " PIPE			2	
33 " " " WASHER			4	

ISSUE	SIGNATURE	DATE
1	JR Holroyd	18-4-75

SECTION I7

Item	Ref. No.	Matrix	No. Off	Detail
35	TD 72		1	
36			1	($\frac{5}{8}$ " I.D.)
37			2	(0 SIZE)
38			1	
39			1	($\frac{5}{32}$ " I.D. NYLON)
40			2	($\frac{1}{8}$ " BSP SIZE)
41			1	($\frac{5}{32}$ " I.D. NYLON)
42			2	($\frac{1}{8}$ " BSP SIZE)
43			1	
44			1	

BODYWORK, WINGS, ETC - 753.



SHEET 2 OF 2

SECTION

Item	Ref. No.	Matrix	No. Off	Detail
REAR WING TRAILING EDGE SUPPORT	753-12-06	N	1	
" " " " METALASTIC BUSH		N	4	
" " " " TOP BOLT		N	2	
" " " " TOP NYLOC NUT TD		N	2	
" " " " BOTTOM BOLT TD		N	2	
WING FRAME	753-01-29	N	1	(TOYOTA ONLY)
WING FRAME	753-01-63	1-5-12	1	(BMW ONLY)
" " CLEVIS	711-12-22	4-3-4	2	
" " CLEVIS STUD	753-01-09	4-12-6	2	(6 ⁷ / ₁₆ " LENGTH)
" " " " WASHER			2	
" " " " NYLOC NUT			2	
WING FRAME CLEVIS BOLT	TD 231	12-5-4	2	(3/8" UNF x 1/2" CH)
" " " " WASHER	TD 324	20-1-8	4	(3/8" TRC)
" " " " NYLOC NUT	TD 380	13-3-3	2	(3/8" UNF FULL)
WING FRAME BRACKET LH	733-01-06	1-2-1	1	
" " " " RH	733-01-05	1-2-2	1	
" " " " BOLT	TD 235	12-5-8	2	(3/8" UNF x 2 3/4" CH)
" " " " NYLOC NUT	TD 380	13-3-3	2	(3/8" UNF FULL)
" " " " GEARBOX STUD	743-01-05	4-6-2	2	
" " " " GEARBOX STUD	743-01-12	4-6-3	2	
" " " " TUBE NUT	743-01-04	4-3-6	4	
MIRROR	TD 422	8-4-3	2	
MIRROR MOUNT	753-17-01	3-7-5	2	
" " " " BOLT			6	
" " " " NYLOC NUT			6	

S/K
[Signature]
 &

DES
[Signature]