



e-Z WIDER

BUICK
REALER

BUICK



BUICK

CBS

FLORIDA

BP Automotive

1395 Wheaton Avenue, Suite 700
Troy, Michigan 48083
(313) 528-9221 • FAX: (313) 528-8119

PARTS POLICIES

1. Remit parts orders by telex, telefax, or a typewritten mailorder. Include appropriate P.O. number if applicable. There are no guarantees on the shipment or the contents of any shipment when ordered by the phone.
2. Include shipping instructions with a proper address. B-P will inspect all parts before shipment. B-P will use only recognized carriers and expedite you order as quickly as possible. If damaged merchandise is received, the carrier and B-P must be notified immediately.
3. If there is no part number listed send samples or a drawing where part is located and measurement if possible. Remitted samples should have a tag with your name and address, reference to the order, and chassis number.
4. Payment must be C.O.D. or in advance, there are no open accounts.
5. No credit will be given on parts returned subsequent to 14 days from date of sale and without and accompanying copy of the order/invoice.
6. Electrical components cannot be returned.
7. Credit will only be issued from our Detroit Headquarters after parts are inspected by B.P. Automotive and are determined to be undamaged and unused.
8. Only parts purchased from B.P. Automotive will be accepted for credit.
9. All parts returned, not due to damage, will be charged a 15% restocking fee.
10. All trackside parts purchases must be paid in full at the time of pick up or with an open check.
11. All parts policies are final and no exceptions will be made.

FORWARD

This catalog will serve as a reference for specifications and spare parts ordering. It was prepared to aid individuals in the building of specially-modified versions of off-road vehicles for sanctioned competitive events and off-road purposes. The information in this catalog is subject to change without notice.

B.P Automotive, or any of their subsidiaries or affiliates, take no responsibility for claims, damages, or liabilities arising from mechanical failure during manufacturing, testing, or operation specially constructed vehicles using any or all information described in this catalog. Illustrations in this catalog are based on authorized information, but are not intended as exact representations of the parts they are meant to illustrate. The parts listed are only available and sold for race cars and off-road vehicles.

B.P. Automotive does not warrant or guarantee parts when used for competition purposes.

B.P. Automotive does not accept any responsibility for completeness and or compliance of the contents with locally valid statutory provision.

CAUTION: *This vehicle and/or its components when prepared under these guidelines fail to conform to the emission regulations established by the Environmental Protection Agency and the safety standards established by the U.S. Department of Transportation, and for these reasons, the use and licencing of this vehicle on public roads is prohibited.*

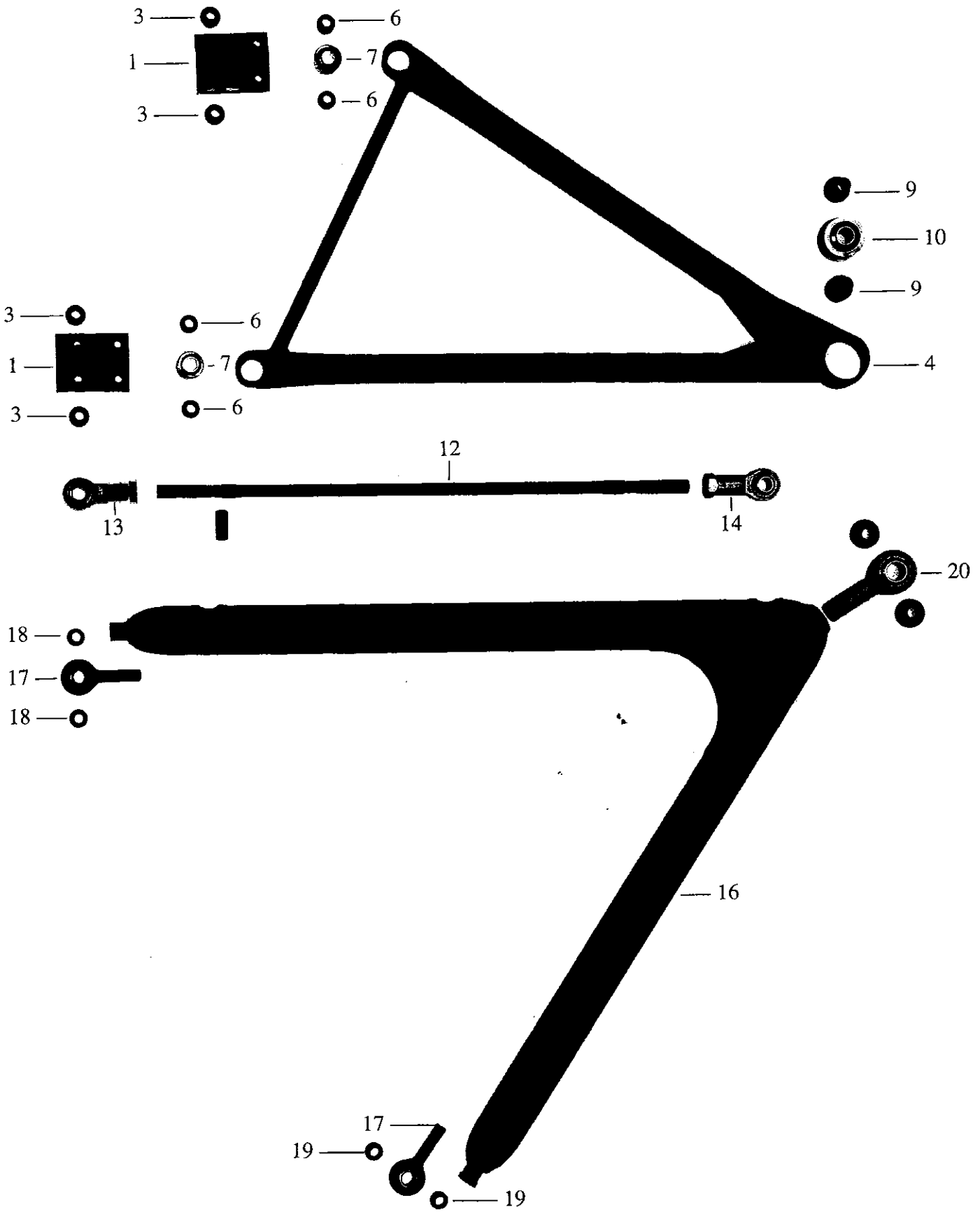
TABLE OF CONTENTS

DESCRIPTION PAGE #	DESCRIPTION PAGE#	DESCRIPTION PAGE #
MONOCOQUE 1	ENGINE INSTALLATION 14-16	WINGS 25
FRONT SUSPENSION 2-3	GEAR LINKAGE 16	AIR STARTER 26-27
STEERING RACK 4-5	WATER SYSTEM 17	END COVER ASSEMBLY 28-29
REAR SUSPENSION 6-7	FUEL SYSTEM 18-19	MAINCASE 30-31
ANTI-ROLL BARS 8	OIL SYSTEM 20	DIFFERENTIAL
PEDALS 9	DASH FIRE & ELECTRIC . . 23	ASSEMBLY 32-33
FRONT UPRIGHT10-11	HYDRAULICS 22-23	BEARING
REAR UPRIGHT12-13	BODY WORK 24	CARRIER ASSEMBLY . . 34-35
		ACCESSORIES 36-37

MONOCOQUE

	DESCRIPTION	QTY.	PART NUMBER
1	Monocoque	1	85B-00-00
2	Bath Tub Skin (Honeycomb)	1	85B-01-65
3	Front Bulkhead (Honeycomb)	1	86B-01-14
4	Mid Front Bulkhead (Honeycomb)	1	85B-01-12
5	Mid Rear Bulkhead (Honeycomb)	1	85B-01-11
6	Dash Bulkhead (Honeycomb)	1	85B-01-29
7	Seatback Bulkhead (Honeycomb)	1	86A-01-04
8	Rear Bulkhead (Honeycomb)	1	86A-01-09
9	Carbon Top Body	1	85B-01-69
10	Front Lower Wishbone Master Cylinder Mounting 6.26.3	1	86A-01-18
11	Mounting Insert	2	842-02-24
12	Lower Wishbone Front Mounting Sleeve	2	842-02-33
13	Brake/Clutch Channel	2	85C-01-97
14	Clutch Pedal Strut	1	86A-08-03
15	Brake Pedal Strut L.H.	1	86A-08-01
16	Brake Pedal Strut R.H.	1	86A-08-02
17	Throttle Pedal Channel 6.16.1	1	822-08-01
18	Inner Cockpit Panel R.H.	1	86A-01-16
19	Inner Cockpit Panel L.H.	1	86A-01-15
20	Spring Cover Panel	2	85B-01-62
21	Mid Inner Panel L.H.	1	85B-01-63
22	Mid Inner Panel R.H.	1	85B-01-64
23	Diaphragm-Cockpit Panel L.H.	1	85B-01-67
24	Diaphragm-Cockpit Panel R.H.	1	85B-01-68
25	Front Inner Skin R.H.	1	85B-01-54
26	Front Inner Skin L.H.	1	85B-01-55
27	Monroe Reservoir Mounting	1	86A-02-02
28	Clutch Rest	1	803-01-98
29	Crash Hoop	1	85B-01-49
30	Crash Hoop Front Mounting	2	86A-01-03
31	Crash Hoop Front Mounting Bolt	2	85B-01-59
32	Throttle Cable Front Mounting Bracket	1	792-01-87
33	Seat Belt Harness	1	8-44-12
34	Seat Belt Top Mounting Bracket	2	86A-01-13
35	Seat Belt Top Mounting Spacer	2	86A-01-12
36	Seat Belt Lower Mounting Angle R.H.	1	85B-01-52
37	Seat Belt Lower Mounting Angle L.H.	1	85B-01-53
38	Seat Belt Anchor Sp. Long	2	842-01-44
39	Seat Belt Anchor Sp. Short	2	86A-01-11
40	5.0 KG Fire Extinguisher	1	29-1-8
41	1/8 BSP X-4 Jic Adaptor	1	86B-22-01
42	7.5 KG Bottle Clip 140-160	2	25-2-10
43	Life Support Bottle	1	29-3-14
44	Life Support Bottle Hose	1	29-3-9
45	Life Support Bottle Bracket	1	793-01-36
46	Rear Bulkhead Door	1	86A-01-08

FRONT SUSPENSION ** = All Items Listed Are Not In Photo



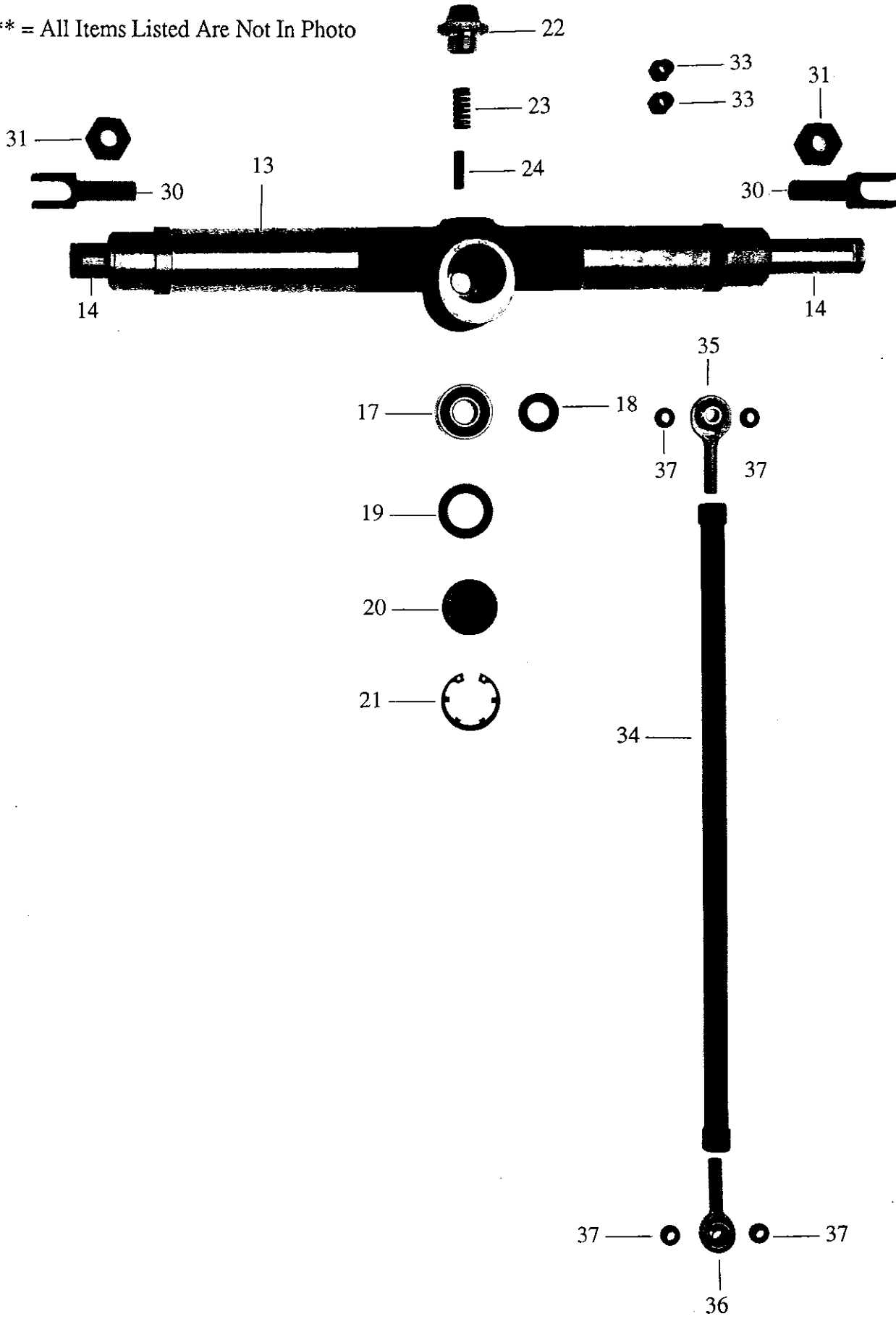
FRONT SUSPENSION

PHOTO NO.**	DESCRIPTION	QTY.	PART NUMBER	
1	Front Top Wishbone Inner Mounting R.H.	2	842-02-01	
2	Front Top Wishbone Inner Mounting L.H.	2	842-02-02	
3	Mounting Insert	8	842-02-24	
FRONT TOP WISHBONE ASSEMBLY				T
4	Front Top Wishbone R.H.	1	85B-02-10	*
5	Front Top Wishbone L.H.	1	85B-02-11	
6	Wishbone Inner Joint Insert	8	842-02-23	*
7	Spherical Joint ABWT7	4	15-7-1	*
8	Circlip 1300-93	4	23-7-2	*
9	Front Top Wishbone Outer Joint Insert	4	803-02-16	*
10	Spherical Joint RBF 8B	2	15-4-3	*
11	Circlip 1300-150	2	23-5-13	*
PULL ROD ASSEMBLY				T
12	Pull Rod 18.31" Standard	2	85B-02-12	*
13	Rose Joint ARHTL7	2	15-7-11	*
14	Rod End Bearing (F) ARHT7	2	15-7-2	*
15	Pull Rod Joint Sleeve 5/16"	4	842-02-12	*
FRONT LOWER WISHBONE ASSEMBLY				T
16	Front Lower Wishbone	2	85B-02-06	*
17	Rod End Bearing (M) RC7H	4	15-04-10	*
18	Front Lower Wishbone Rear Joint Insert	4	842-02-22	*
19	Wishbone Inner Joint Insert	4	842-02-23	*
20	Rod End Bearing (M) RC10/ARHT10ECR	2	15-7-13	*
21	Outer Joint Lock Nut	2	85B-02-07	*
22	Pull Rod Lever	2	85B-02-14	
23	Pull Rod Lever Bush	4	84C-02-10	
24	Pull Rod Lever Insert	4	85B-02-15	
25	Lever Thrust Washer	1	842-02-04	
26	Lever Pivot Bolt	1	84C-02-13	
27	Lever Pivot Bolt Washer	1	83C-02-17	
28	Pivot Bolt Insert	2	83C-02-66	
29	Pivot Bolt Preload Washer	1	83C-02-51	
30	Monroe Gas-Matic X P-5	2	16-11-11	
31	Front Lower Damper Insert	4	86A-02-01	
32	Front Lower Damper Mounting	2	842-02-21	
33	Front Lower Damper Mounting Dowel	4	842-02-26	
34	900 LB X 5.5" Road Spring	2	16-11-14	
35	Front Top Damper Mounting 6.22.13	2	85B-02-13	
36	Front Top Damper Mounting Insert	2	85B-02-16	
37	Front Top Damper Cap Bush	4	83C-02-23	
38	Front Top Damper Mounting Bearing	4	83C-02-27	
39	Front Damper Top Nut (Monroe)	4	86C-02-02	
40	Front Top Damper Bolt Kaylock F500-6	4	13-7-11	
41	Middle Front Bulkhead Damper Sleeve Insert	2	85B-01-36	
42	Middle Rear Bulkhead Damper Sleeve Insert	2	85B-01-37	

"T" = Total Assembly Piece. "*" = Piece Is Part Of Total Assembly

STEERING RACK

** = All Items Listed Are Not In Photo



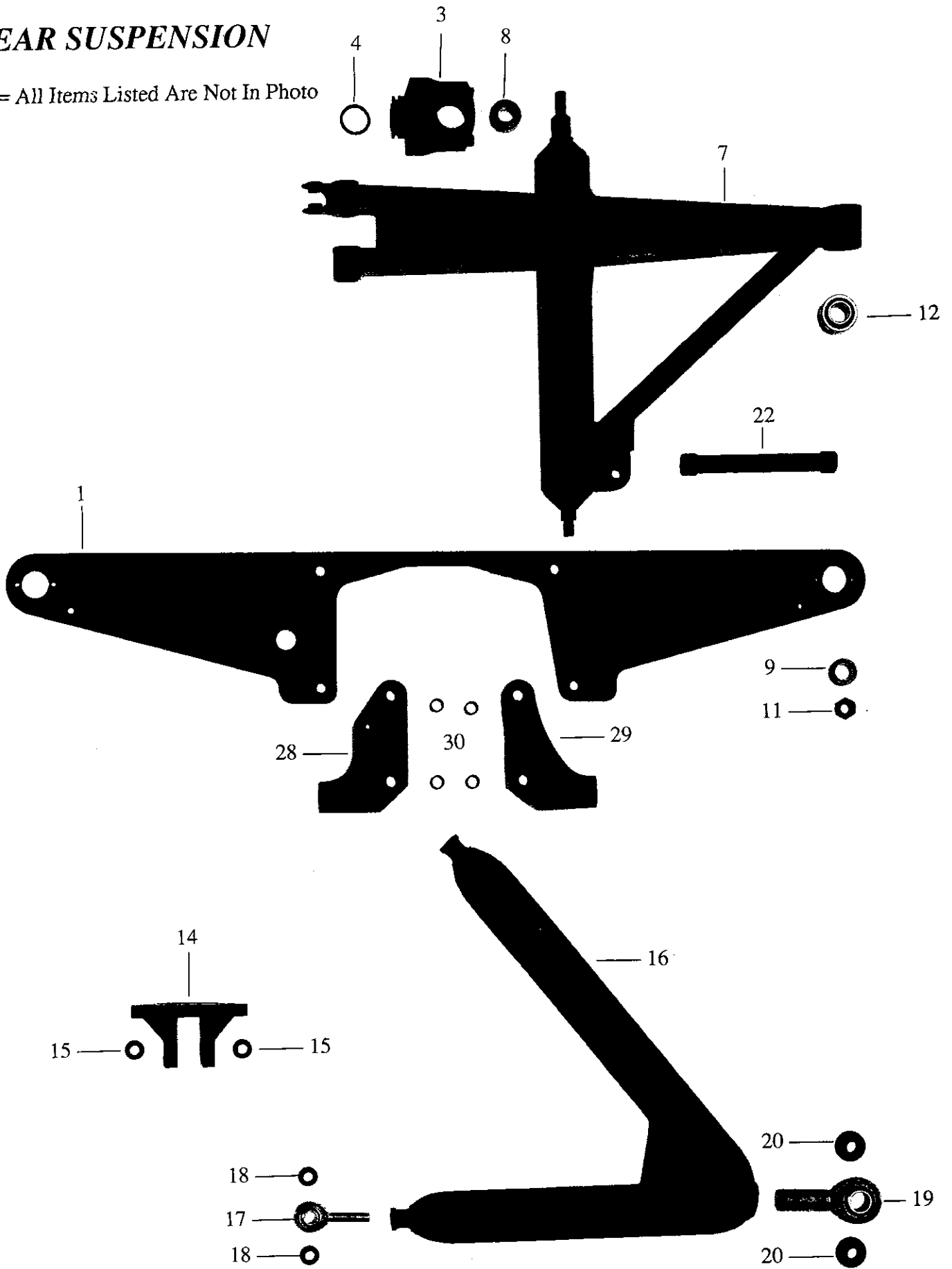
STEERING RACK

PHOTO NO.**	DESCRIPTION	QTY.	PART NUMBER	
1	Steering Wheel V2.0192/5	1	8-41-11	
2	Kill Steering Wheel Sandwich Plate	1	832-04-11	
QUICK RELEASE ASSEMBLY				T
3	Quick Release Splined End	1	85C-04-15	*
4	Quick Release Spring	1	81C-04-15	*
5	Steering Wheel Hub	1	83C-04-05	*
6	Quick Release Collar	1	81C-04-14	*
7	Ball Bearing	3	8-25-13	*
8	Steering Column	1	842-04-10	
9	Steering Column Safety Collar	1	812-20-76	
10	Steering Column Coupling	1	86C-04-17	
11	Steering Column Mounting Block	1	83C-04-01	
12	Steering Column Mounting Bracket	1	842-04-06	
STEERING RACK ASSEMBLY				T
13	Steering Rack Housing	1	842-04-03	*
14	Steering Rack Bar 19.25"	1	842-04-02	*
15	Steering Rack End Plug	2	822-04-05	
16	Steering Rack Pinion 6 Tooth	1	8-23-14	*
17	Rack Pinion Bearing	2	8-1-6	*
18	Pinion Seal	1	8-22-11	*
19	Pinion Bearing Spring Washer	1	4-45-11	*
20	Pinion Bearing Retaining Plate	1	8-38-4	*
21	Rack Circlip	1	8-17-3	*
22	Rack Tension Cap	1	8-38-1	*
23	Rack Tension Spring	1	8-38-2	*
24	Rack Tension Spring Stop	1	4-4-10	*
25	Spring Retainer	1	8-38-3	*
26	Rack Oilite Bush	2	8-18-5	*
27	Rack Housing Seal	2	8-9-6	*
28	Steering Rack Mounting Block 6.15.1	2	842-04-01	
29	Steering Rack Stop	2	832-20-07	
30	Steering Rack Clevis	2	81C-04-10	
31	Rack Clevis Lock Nut	2	842-04-07	
32	Rack Mounting Shim	1	842-04-08	
33	Rack Mounting Nut	4	842-04-11	
34	Front Track Rod Standard	2	85B-04-02	
35	Rose Joint R.H. RMR 5UF	2	15-3-2	
36	Rose Joint L.H. RMLR 5UF	2	15-3-3	
37	Track Rod Inner Joint Insert	4	81C-04-17	
38	Bump Steer Spacer Large	2	712-04-11	
39	Bump Steer Spacer Medium	2	712-04-12	
40	Small Spacer	2	75R-04-02	

"T" = Total Assembly Piece. "*" = Piece Is Part Of Total Assembly

REAR SUSPENSION

** = All Items Listed Are Not In Photo



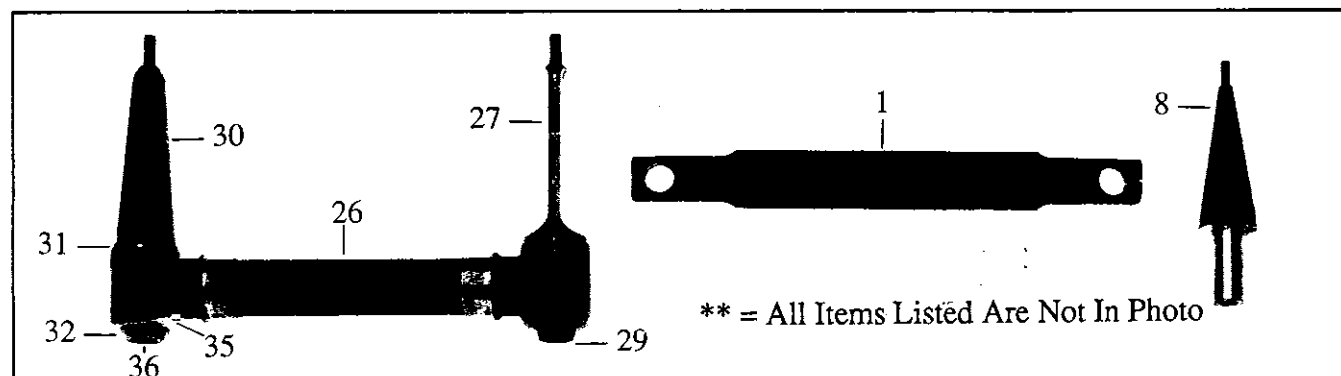
REAR SUSPENSION

PHOTO NO.**	DESCRIPTION	QTY.	PART NUMBER
1	Rear Suspension Plate	1	86A-03-01
2	Rear Suspension Plate Mounting Stud	4	842-23-05
3	Rear Top Rocker Front Mounting Ear	2	85B-03-26
4	Rear Top Rocker Mounting Ear "O" Ring BS122	2	33-3-11
5	Mounting Stud	8	822-16-18
REAR ROCKER			
6	Rear Top Rocker L.H.	1	85B-03-29
7	Rear Top Rocker R.H.	1	85B-03-28
8	RSTWR10/ABWT10 Spherical Joint	2	15-5-1
9	Swivel Joint RSTNR 08A	2	15-4-15
10	Rear Top Rocker Front Joint Washer	2	822-20-05
11	Rear Top Rocker Pivot Nut	2	832-03-02
12	Spherical Joint RSTWR8 ABWT8	2	15-6-5
13	Circlip NAM 1300/100	2	23-4-13
REAR LOWER WISHBONE ASSEMBLY			
			T
14	Rear Lower Wishbone Rear Mounting	2	86A-03-02
15	Rear Lower Wishbone Rear Mounting Insert	4	85B-03-35 *
16	Rear Lower Wishbone	2	85B-03-25 *
17	Rod End Bearing (M) RC7H	4	15-4-10 *
18	Wishbone Inner Joint Insert	8	842-02-23 *
19	Rod End Bearing (M) RC10/ARHT10ECR	2	15-7-13 *
20	Rear Lower Wishbone Outer Joint Insert	4	85B-03-42 *
21	Outer Joint Lock Nut	2	85B-02-07 *
REAR TRACK ROD ASSEMBLY			
			T
22	Rear Track Rod 4.94"	2	85B-03-32 *
23	Rod End Bearing (M L.H.) RCL6H/ARTL6ECR	2	15-3-12 *
24	Rod End Bearing (M) RC6H/ART6ECR	2	15-1-13 *
25	Rear Anti-Roll Bar Link	2	85B-05-10
26	Rod End Bearing (M) ART5ECR	2	15-8-4
27	Rod End Bearing (M L.H.) RCL4H	2	15-5-2
28	Rear Lower Damper Mounting L.H.	1	85B-03-37
29	Rear Lower Damper Mounting R.H.	1	85B-03-38
30	Mounting Dowel	4	85B-20-07
31	Rear Damper Mounting R.H. Top Stud	1	802-16-18
32	Rear Damper Mounting L.H. Top Stud	1	842-16-35
33	Rear Damper Mounting Lower Stud	2	822-16-20
34	Monroe Gas-Matic X P-5	2	16-11-11
35	Monroe Reservoir Rear Mounting	1	86A-03-05
36	Rear Lower Damper Insert	4	86A-03-04
37	Rear Top Damper Insert	4	86A-03-03
38	1100 LB X 6" Road Spring	2	16-11-15

"T" = Total Assembly Piece. "*" = Piece Is Part Of Total Assembly

ANTI-ROLL BARS

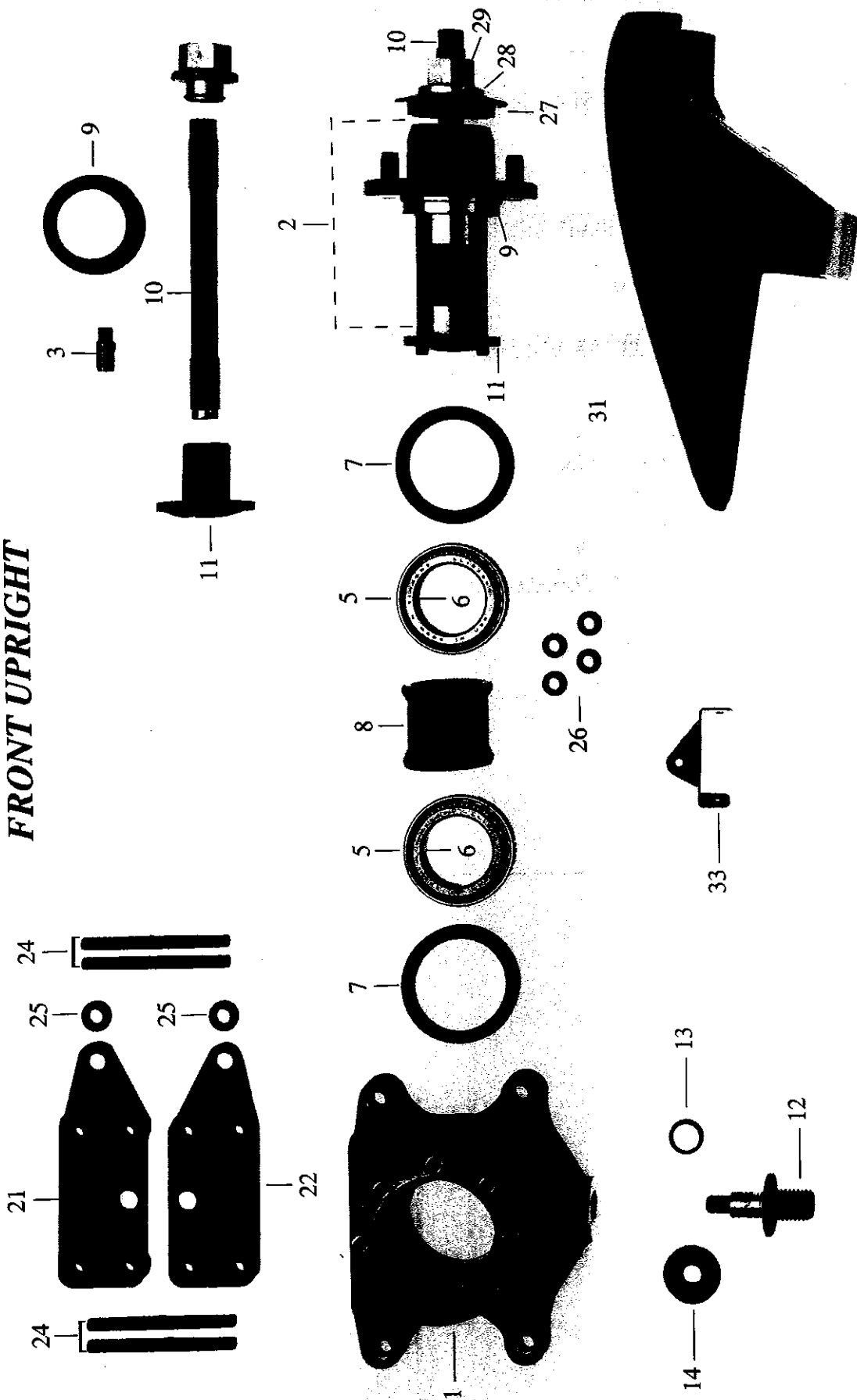
PHOTO NO. **	DESCRIPTION	QTY.	PART NUMBER
1	Front Anti-Roll Bar 1.150" Diameter	1	85B-05-17
2	Front Anti-Roll Bar Mounting Channel	2	85B-01-38
3	Front Anti-Roll Bar Mounting Block Nut	4	842-05-09
4	Front Anti-Roll Bar Mounting Block 6.12.15	2	842-05-07
5	Front Anti-Roll Bar Mounting Block Bush	2	812-05-15
6	Front Anti-Roll Bar Thrust Washer	2	812-05-09
7	Front Anti-Roll Bar End Float Spacer	2	842-05-08
8	Front Anti-Roll Bar Blade	2	842-05-06
9	Rod End Bearing (F) RFC4U	2	15-7-3
10	Rod End Bearing (M) RC4H	2	15-7-4
11	Front Anti-Roll Bar Drop Link Insert	6	842-02-25
12	Anti-Roll Bar Adjuster Mounting Block	1	87C-05-08
13	Adjuster Pivot	1	85B-05-11
14	Lock Plate	1	85B-05-16
15	Locking Pin	1	85C-05-49
16	Anti-Roll Bar Adjuster Lever	1	85C-05-46
17	Knob	1	8-41-12
18	Handle	1	85C-05-50
19	Anti-Roll Bar Adjuster Arm Spring 1"	1	86C-05-15
20	Anti-Roll Bar Cable 2.30 Meters	1	85B-05-12
21	Rod End Bearing (F) RF3U/AFR3/CAHF3	2	15-2-7
22	Rear Anti-Roll Bar Cable Bracket "U" Bolt	1	822-05-12
23	Rear Anti-Roll Bar Cable Mounting Bracket	1	842-05-11
24	Anti-Roll Bar Mounting Block	2	85B-05-07
25	Rear Anti-Roll Bar Mounting Block Spacer	2	85B-05-08
26	Rear Anti-Roll Bar 1.498" Diameter	1	85B-05-05
27	Rear Anti-Roll Bar Fixed Blade	1	85B-05-06
28	Roll Pin 1/8"	1	23-7-10
29	Anti-Roll Bar Fixed Blade Cap	1	85C-05-24
30	Rear Anti-Roll Bar Adjustable Blade	1	85B-05-09
31	Adjustable Blade Bearing	1	8-37-7
32	Adjustable Blade Bearing	1	8-37-8
33	Circlip W4 RRT 145	1	23-8-8
34	Adjustable Lever Key	1	84C-05-16
35	Anti-Roll Bar Blade Adjuster	1	85C-05-42
36	Adjustable Blade Cap	1	84C-05-51



PEDALS

	DESCRIPTION	QTY.	PART NUMBER	
THROTTLE PEDAL ASSEMBLY				T
1	Throttle Pedal	1	812-08-01	*
2	Pivot Bearing 06 DU 08	2	8-1-10	*
3	Pedal Pivot Bush	1	712-08-07	*
BRAKE PEDAL ASSEMBLY				T
4	Brake Pedal	1	85G-08-01	*
5	Pivot Bearing 06 DU 08	2	8-1-10	*
6	Pedal Pivot Bush	1	712-08-07	*
BRAKE ADJUSTER ASSEMBLY				T
7	Balance Bar Shaft	1	81C-08-09	*
8	Balance Bar Yoke	2	802-08-02	*
9	Balance Bar Cable (per foot)	3	8-24-13	*
10	1/8" BSP Nylon Pipe (per foot)	3	8-8-5	*
11	Balance Bar Adjuster	1	792-26-04	*
12	Adjuster Body Bush	1	842-19-01	*
13	Balance Bar Adjuster Knob	1	9-5-3	*
CLUTCH PEDAL ASSEMBLY				T
14	Clutch Pedal	1	803-08-02	*
15	Pivot Bearing 06 DU 08	2	8-1-10	*
16	Pedal Pivot Bush	1	712-08-07	*
17	Oilite Bush	1	8-18-1	*
18	Clutch Clevis	1	771-08-04	
19	Clutch Clevis Pin	1	771-08-09	
20	Clevis Pin "R" Clip	1	23-7-1	
21	Pedal Stop	2	832-01-01	
22	Pedal Stop Adjuster	2	832-01-52	

FRONT UPRIGHT



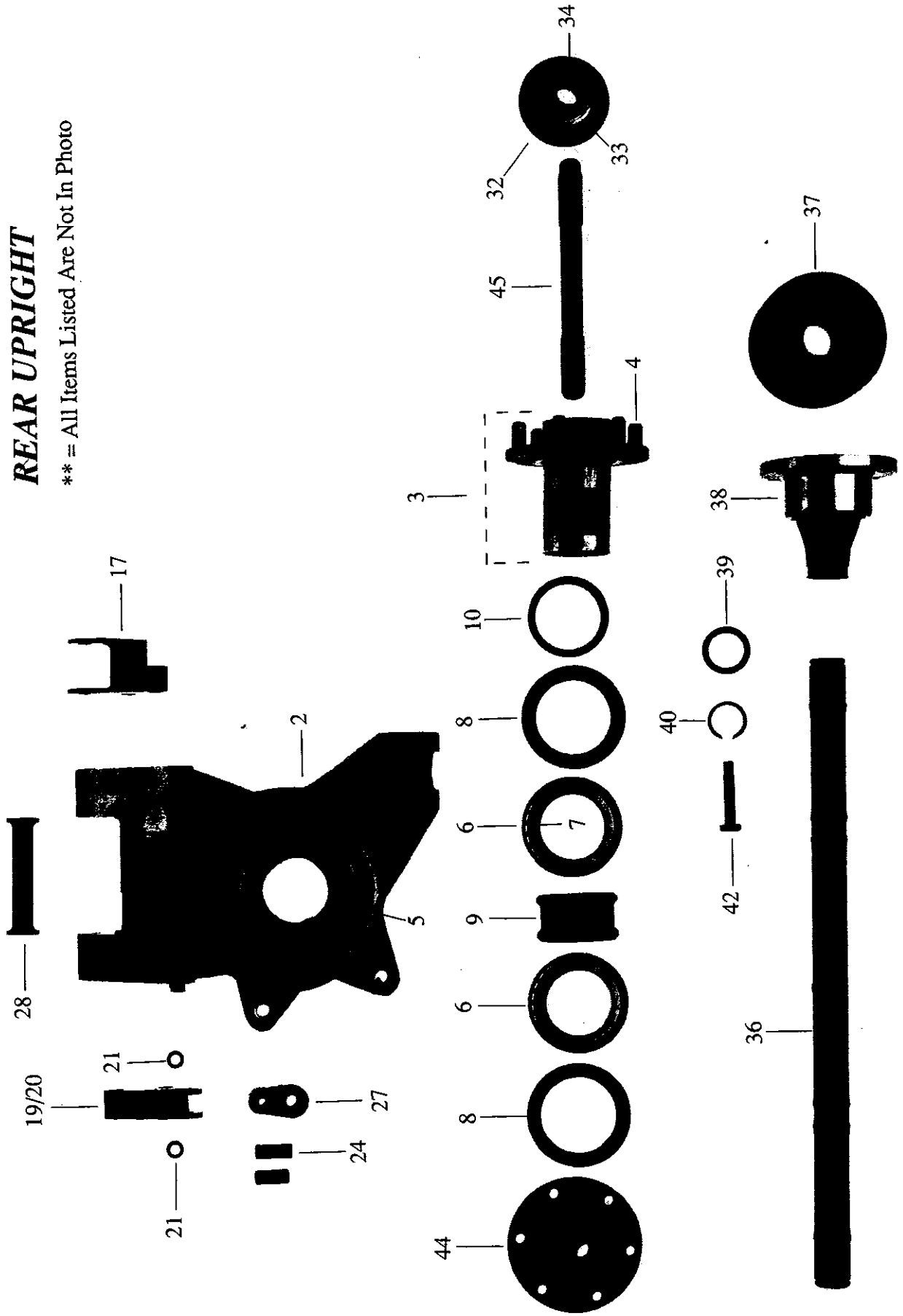
** = All Items Listed Are Not In Photo

FRONT UPRIGHT

PHOTO NO.**	DESCRIPTION	QTY.	PART NUMBER	
FRONT UPRIGHT ASSEMBLY				T
1	Front Upright 6.25.11	2	85B-06-09	*
2	Front Axle (Steel)	2	87B-06-08	
3	Front Axle Drive Pin	6	822-06-04	
4	Front Upright Bearing Housing	2	85B-06-07	*
5	Wheel Bearing Cup LL103010	4	8-43-2	*
6	Wheel Bearing Cone LL103049	4	8-43-3	*
7	Wheel Bearing Seal 60*75*8	4	33-3-5	*
8	Wheel Bearing Spacer	2	85B-06-05	*
9	Outer Bearing Spacer (Steel)	2	87B-06-13	
10	Front Wheel Stud	2	85B-06-01	
11	Front Wheel Stud Washer	2	85B-06-03	
12	Front Bottom Pin Standard	2	85B-06-11	*
13	Bottom Pin Spacer	2	802-06-04	
14	Outer Joint Safety Washer	2	802-06-07	
15	AP Brake Disk 0.9" L.H. (STD)	1	7-14-6	
16	AP Brake Disk 0.9" R.H. (STD)	1	7-14-7	
17	Brake Disk Bell	2	85B-06-08	
18	Disc Bell Spacer	16	85B-06-10	
19	Disc Bell Bolt	16	85C-06-04	
20	Disc Bell Bolt Nut	16	13-2-6	
21	Upright D/S Plate R.H.	2	85B-04-03	
22	Upright D/S Plate L.H.	2	85B-04-04	
23	Upright D/S Spacer 6.11.4	2	85B-06-12	
24	Stud	8	802-16-25	
25	D/S Plate Rocker Pivot Insert	4	832-04-06	
26	Steering Plate Insert	4	832-04-04	
27	Wheel Washer	2	85B-09-03	
28	Wheel Washer Insert	4	712-07-11	
29	Wheel Retaining Nut	4	13-1-1	
30	Front Wheel 10" x 5.75 x 13 Diameter	2	85B-09-05	
31	Front Brake Duct Stud	2	85B-12-96	
32	Front Brake Duct Bracket L.H.	1	842-12-51	
33	Front Brake Duct Bracket R.H.	1	842-12-50	

REAR UPRIGHT

** = All Items Listed Are Not In Photo



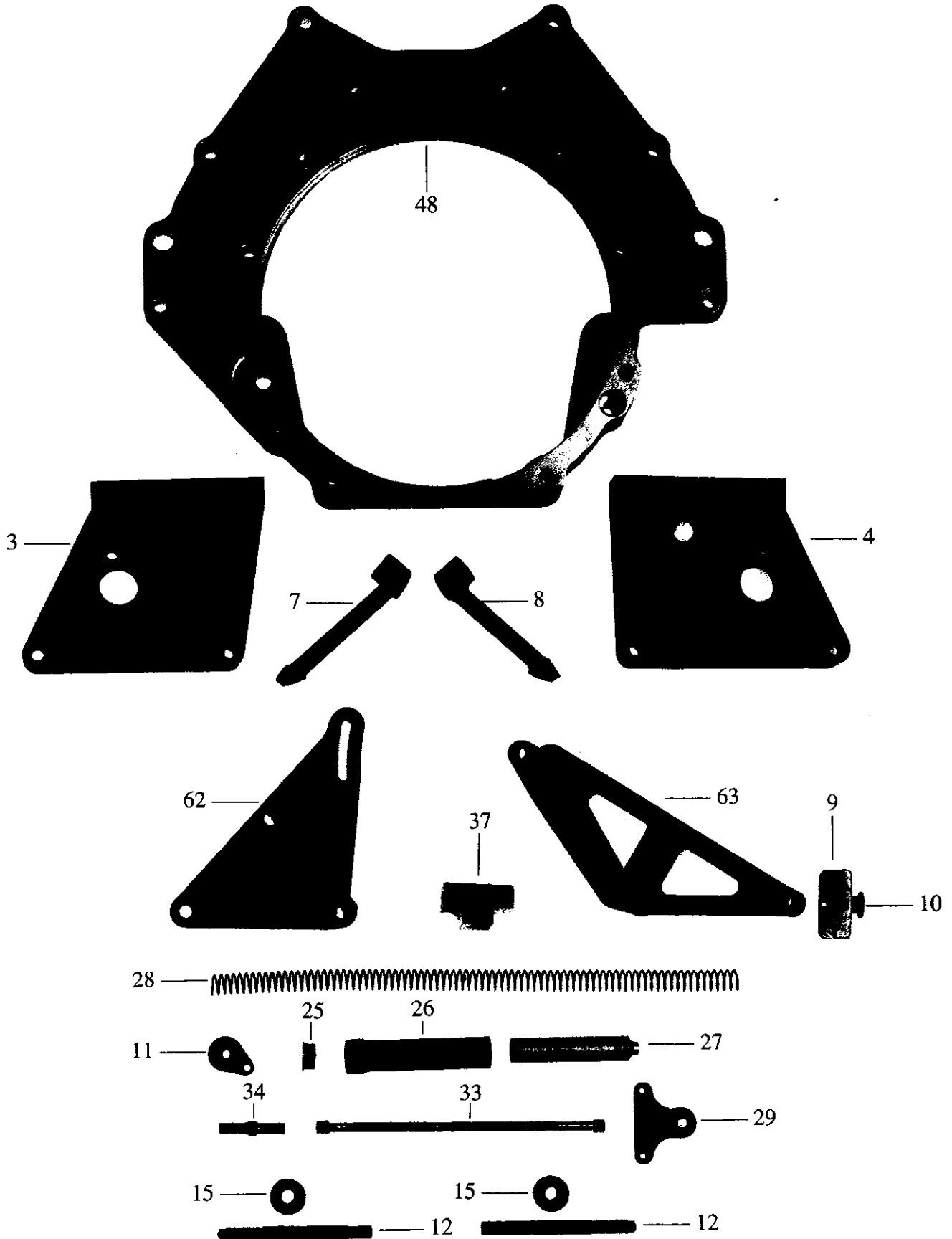
REAR UPRIGHT

PHOTO NO. **	DESCRIPTION	QTY.	PART NUMBER	T
REAR UPRIGHT ASSEMBLY				
1	Rear Upright L.H. 6.25.12	1	86A-07-01	*
2	Rear Upright R.H. 6.25.13	1	86A-07-02	
3	Rear Axle	2	85B-07-09	
4	Rear Axle Drive Pin	12	85B-09-01	
5	Rear Upright Bearing Housing	2	85B-07-11	*
6	Wheel Bearing Cup LL205410	4	8-43-4	*
7	Wheel Bearing Cone LL205449	4	8-43-5	*
8	Wheel Bearing Seal 60*80*8	4	33-2-8	*
9	Wheel Bearing Spacer	2	85B-07-12	*
10	Wheel Bearing Outer Spacer	2	85B-07-08	
11	AP Brake Disc 0.9" L.H. (STD)	1	7-14-6	
12	AP Brake Disc 0.9" R.H. (STD)	1	7-14-7	
13	Brake Disc Bell	2	85B-06-08	
14	Disc Bell Spacer	16	85B-06-10	
15	Disc Bell Bolt	16	85C-06-04	
16	Disc Bell Bolt Nut	16	13-2-6	
17	Rear Upright Front D/S Bracket R.H.	1	85B-07-13	
18	Rear Upright Front D/S Bracket L.H.	1	85B-07-14	
19	Rear Upright Rear D/S Bracket L.H.	1	85B-07-15	
20	Rear Upright Rear D/S Bracket R.H.	1	85B-07-16	
21	Rear Upright D/S Bracket Insert	2	85B-07-17	
22	Stud	2	802-16-25	
23	Rear Upright D/S Bracket Short Stud	6	822-07-05	
24	Rear Upright D/S Bracket Dowel	8	822-20-02	
25	Rear Upright Top D/S Stud C.PLY	2	85B-23-23	
26	Rear Upright Support Strut	2	85B-07-23	
27	Rear Upright Support Strut Spacer	2	85B-07-27	
28	Rear Upright Top D/S Spacer	2	85B-07-25	
29	Rear Top Rod Outer Joint Insert	4	85B-03-11	
30	Rear Top Rod Inner Joint Insert	8	85B-03-33	
31	Rear Upright Bottom Pin Insert	2	85B-07-10	
32	Wheel Washer	2	85B-09-03	
33	Wheel Washer Insert	2	712-07-11	
34	Wheel Retaining Nut	2	13-1-1	
35	Rear Wheel 14.75" x 5.5 x 13 D	2	85B-09-02	
DRIVESHAFT ASSEMBLY				
36	Driveshaft 480 F/F	2	14-4-12	*
37	Plunge Joint Assembly	2	842-16-14	*
38	CV Joint Gaiter	4	8-34-8	*
39	CV Joint Washer	4	8-34-9	
40	CV Joint Circlip N1460 0106	4	23-9-8	
41	Duckhams 5795 Grease 3 kg	1	8-34-10	
42	CV Joint Outer Bolt	24	85B-16-30	
43	5/16" U.N.F. "K" Nut	24	13-2-2	
44	CV Joint Outer Flange	2	85B-10-01	
45	Rear Wheel Retaining Stud	2	85B-10-02	

"T" = Total Assembly Piece. "*" = Piece Is Part Of Total Assembly

ENGINE INSTALLATION

** = All Items Listed Are Not In Photo



ENGINE INSTALLATION

PHOTO NO. **	DESCRIPTION	QTY.	PART NUMBER
1	Buick V6 Supplied By Customer	1	86A-00-01
2	Buick Clutch Assembly CP2418 Grey	1	7-15-11
3	Engine Top Mounting L.H.	1	86A-16-07
4	Engine Top Mounting R.H.	1	86A-16-08
5	Engine Top Mounting Plate L.H.	1	86A-16-13
6	Engine Top Mounting Plate R.H.	1	86A-16-14
7	Engine Top Mounting Strut L.H.	1	86A-16-27
8	Engine Top Mounting Strut R.H.	1	86A-16-28
9	Engine Top D/S Mounting	2	85B-01-56
10	Engine Top D/S Mounting Insert	2	85B-01-57
11	Engine Top Mounting A/R Nut	2	85B-01-39
12	Mono/Engine Lower Mounting Stud	2	86A-23-09
13	Engine Lower Mounting Spacer	1	86A-16-09
14	Engine Lower Mounting Sleeve	2	86A-16-16
15	Engine Lower Mounting Washer	2	86A-16-17
16	Exhaust System	1	24-6-9
17	Exhaust Flange	6	86A-16-01
18	Exhaust Bracket	2	86A-16-29
19	5/16 x 5/8 x 21/32 Met. Bush	2	31-2-1
20	Exhaust Mounting Bush Insert	4	803-05-02
21	Clip 80-100	4	25-2-2
22	Air Intake Stone Guard	1	86A-12-05
23	Throttle Cable 2.15 Metre	1	28-1-15
24	Rod End Bearing (F) RF3U/AFR3/CAHF3	2	15-2-7
25	Throttle Return Outer End Cap	1	81C-16-10
26	Throttle Return Outer Slide	1	81C-16-112
27	Throttle Return Inner Slide	1	81C-16-111
28	Throttle Return Spring 17 SWG.	1	85B-16-12
29	Throttle Bell Crank	1	86A-16-22
30	Throttle Bell Crank Bracket	1	86A-16-23
31	Bearing Bell Crank INA NK 7/10 TN	1	8-45-4
32	Bell Crank Bearing Bush	2	86A-19-01
33	Throttle Link Long	1	86A-16-25
34	Throttle Link Short	1	86A-16-24
35	RML3U Rose Joint	2	15-8-13
36	Rod End Bearing (M) RM3U/AMR3	1	15-2-8
37	Oil Press. T Piece	1	86A-14-01
38	1/8" BSP X 1/8" BSP Adaptor	2	752-14-04
39	1/8" BSP X -4 JIC Adaptor	1	86B-22-01
40	-4 STR JIC Union	1	21-4-15
41	Union -4 90	1	21-1-6
42	-3 x 45 DEG Aeroquip Union	2	21-1-2
43	-3 Aeroquip Hose (per foot)	3	21-2-7
44	-4 Aeroquip Hose (per foot)	3	21-2-8
45	-10 STR Aeroquip Union	1	85-1-1
46	-10 x 90 DEG Aeroquip Union	1	85-1-7

ENGINE INSTALLATION (continued)

PHOTO NO. **	DESCRIPTION	QTY.	PART NUMBER
47	-10 Aeroquip Hose (per foot)	3	21-2-11
48	Buick Adaptor Plate 6.28.6	1	86A-16-12
49	Engine Adaptor Stud Upper	6	86A-23-01
50	Sump. Adaptor Stud Upper R.H.	1	86A-23-02
51	Sump. Adaptor Stud Lower	2	86A-23-03
52	Sump. Oil Tank Stud Upper L.H.	1	86A-23-04
53	Adaptor.G/Box Stud	4	86A-23-05
54	Adaptor Oil Tank Stud	2	86A-23-06
55	Adaptor Oil Tank Stud Mid	2	86A-23-07
56	Adaptor Oil Tank Dowel	2	86A-16-15
57	Bendix Shaft Bush LO 710	1	8-27-11
58	Buick Flywheel	1	86A-16-02
59	Flywheel Crank Bolt	6	12-32-4
60	Flywheel Clutch Bolt AN5.14A	8	12-29-10
61	5/16" U.N.F "K" Nut	8	13-2-2
62	Alternator L.H. Mounting	1	86A-16-20
63	Alternator R.H. Mounting	1	86A-16-19
64	Alternator Pulley	1	86A-28-03
65	Crank Pulley	1	86A-16-18
66	Poly V Drive 380J6	1	8-45-5

GEAR LINKAGE

	DESCRIPTION	QTY.	PART NUMBER
1	Gear Lever	1	87B-11-01
2	Gear Lever Knob	1	842-11-05
3	Gear Lever Pivot	2	712-11-10
4	Gear Lever Housing	1	86C-11-01
5	Bush	2	85C-11-18
6	Bush Gear Lever Upper Pivot	2	850-19-01
7	Gear Shift Anchor Rod	1	842-11-07
8	Gear Shaft Retaining Bolt	1	85C-11-02
9	SPH Joint RAC8/ABT81	1	15-2-14
10	Gear Rod/Steering Rack Ball	1	842-01-52
11	Front Gear Rod	1	86B-11-01
12	Middle Gear Rod	1	85B-11-05
13	Rear Gear Rod	1	85B-11-04
14	Rear Gear Rod Bearing Mounting	1	85B-11-03
15	SPH Joint RBJ205L	1	15-5-4
16	Circlip RRT100	1	23-5-2
17	Gear Rod Apex Joint 1/2" I.D.	1	832-11-09
18	Gear Rod Apex Joint 5/8" I.D.	2	832-11-08

WATER SYSTEM

	DESCRIPTION	QTY.	PART NUMBER
1	Water Radiator L.H.	1	85B-13-19
2	Water Radiator R.H.	1	85B-13-20
3	Water Radiator Screen L.H.	1	85B-13-16
4	Water Radiator Screen R.H.	1	85B-13-18
5	Water Radiator Top Mounting Bracket R.H.	1	85B-13-24
6	Water Radiator Top Mounting Bracket L.H.	1	85B-13-23
7	Water Radiator Lower Mounting Bracket R.H.	1	85B-13-26
8	Water Radiator Lower Mounting Bracket L.H.	1	85B-13-25
9	Mounting Bolt 10/32 x 3-1/2	4	12-30-7
10	Water Pipe Flange L.H.	1	86A-13-01
11	Water Pipe Flange R.H.	1	86A-13-02
12	"O" Ring BS025	2	33-7-1
13	Swirl Pot	1	85B-13-15
14	Water Rail L.H.	1	85B-00-07
15	Front Cross Over Pipe	2	85B-13-09
16	Water Pipe Cover	2	8-33-5
17	Water Rail R.H.	1	85B-00-08
18	Inlet Pipe Ring 1.3/8" Diameter	1	85B-13-05
19	"O" Ring BS325	2	33-3-4
20	Water Inlet Flange DA1604	1	85B-13-03
21	Header Tank	1	86A-13-03
22	Header Tank Cap	1	8-6-11
23	9/16" x 1/4" x 1/16" Grommet	2	31-3-2
24	Mounting Grommet Spacer	2	8-20-7
25	Header Tank Overflow Pipe	2	10-4-8
26	1.1/4" ID Water Rail Hose	1	10-3-7
27	Hose Clip (25-40)	2	25-2-8
28	1.3/8" ID Hose	2	10-3-8
29	Hose Clip (32-50)	14	25-2-5
30	1/8" BSP Nylon Pipe (per foot)	9	8-8-5
31	1/8" BSP Nylon Pipe Clip	6	23-4-8
32	1/8" BSP 90 DEG Union	3	76B-13-08
33	1/8" BSP Large Nut (104459)	3	8-22-4
34	1/8" BSP Standard Stem (S101)	1	8-5-12
35	1/8" BSP Small Nut (F101)	1	8-44-2
36	Banjo Bolt (Short 20MM) 775-3P	2	21-12-12
37	3/8" ID Dowty Seal	4	20-3-1
38	1/8" BSP Banjo (46462)	2	8-26-2
39	-8 Aeroquip Hose (per foot)	1	21-2-10
40	-8 STR Aeroquip Union	2	84-1-1

FUEL SYSTEM

	DESCRIPTION	QTY.	PART NUMBER	
1	Fuel Tank	1	86A-15-01	
2	Fuel Tank Bolt Ring 6.20.12	1	832-15-04	
3	Fuel Collector Pot	1	832-15-03	
4	CAV Fuel Filter	1	8-31-13	
5	CAV Fuel Filter Top	1	832-15-05	
6	"O" Ring BS108	1	33-4-9	
7	CAV Bolt 1/4" x 3-1/8" HEX	1	12-33-1	
8	Fuel Pump Inlet Adaptor	1	792-15-18	
9	9/16 ID Dowty Seal	1	20-3-3	
10	Electric Fuel Pump	1	9-20-3	
11	Fuel Pump Outlet Adaptor	1	86A-15-02	
12	7/16" ID Dowty Seal	1	20-3-7	
13	Fuel Pump Mounting Bracket	1	832-15-07	
14	Mounting Clip (40-60)	2	25-2-4	
-8 BREAKAWAY ASSEMBLY				T
15	-8 Breakaway Mounting	1	86A-15-03	*
16	-8 Breakaway Coupling	1	8-45-1	*
17	-8 90 Deg Bulkhead Adaptor	1	84-8-13	*
18	-8 Alloy Locknut	1	84-5-11	*
19	3/4" ID Dowty Seal	1	20-3-12	*
-6 BREAKAWAY ASSEMBLY				T
20	-6 Breakaway Mounting	1	86A-15-04	*
21	-6 Breakaway Coupling	1	8-44-15	*
22	-6 90 Deg Bulkhead Adaptor	1	83-8-13	*
23	-6 Steel Locknut	1	83-5-12	*
24	9/16 ID Dowty Seal	1	20-3-3	*
SENDER UNIT ASSEMBLY				T
25	Fuel Sender Unit Top	1	802-15-03	*
26	Fuel Sender Unit Body	1	802-15-02	*
27	Fuel Sender Piston	1	822-15-03	*
28	"O" Ring BS011	1	33-4-4	*
29	5/8" ID Dowty Seal	1	20-3-8	*
30	1/8" BSP TEE Piece TEC46760	1	21-11-10	
31	1/8" BSP Nylon Pipe (per foot)	1	8-8-5	
32	1/8" BSP Nylon Pipe Clip	3	23-4-8	
33	1/8" BSP STR Stem (S101)	2	8-5-12	
34	1/8" BSP Large Nut (104459)	2	8-22-4	
35	-3 Aeroquip Hose (per foot)	6	21-2-7	
36	-3 x 90 DEG Aeroquip Union	1	21-1-3	
37	-3 x 45 DEG Aeroquip Union	2	21-1-2	
38	-3 STR Aeroquip Union	2	21-1-1	
39	-6 Aeroquip Hose (per foot)	5	21-2-9	
40	-6 STR Aeroquip Union	2	83-1-1	
41	-6 x 45 DEG Aeroquip Union	2	83-1-3	
42	-6 x 90 DEG Aeroquip Union	2	83-1-7	

FUEL SYSTEM (continued)

	DESCRIPTION	QTY.	PART NUMBER	
46	-8 Aeroquip Hose (per foot)	4	21-2-10	
47	-8 STR Aeroquip Union	1	84-1-1	
48	-8 x 45 DEG Aeroquip Union	1	84-1-3	
49	-8 x 90 DEG Aeroquip Union	6	84-1-7	
TANK TOP ASSEMBLY				T
50	Fuel Tank Top	1	86A-15-05	*
51	Fuel Tank Top Seal	1	832-15-11	
52	-6 Snap Plug BEC205D-6	1	8-31-10	*
53	-6 Snap Socket BEC200D-6	1	8-31-11	*
54	9/16 ID Dowty Seal	1	20-3-3	*
55	-6 Steel Locknut	1	83-5-12	*
56	Fuel Pump Out Cap	1	832-15-08	*
57	"O" Ring BS125	1	33-4-3	*
58	Fuel Tank Wire Sealing Union	2	832-15-13	*
59	Fuel Tank Wire Sealing Cap	2	832-15-14	*
60	"O" Ring BS004	2	33-4-11	*
DRY BREAK ASSEMBLY				T
61	Dry Break Outer Body	1	822-15-06	*
62	Dry Break Valve	1	822-15-05	*
63	Dry Break Center Bolt	1	822-15-13	*
64	Dry Break Return Spring	1	86B-15-02	*
65	Oilite Bush	1	8-18-1	*
66	Circlip AM1400/31	1	23-8-11	*
67	"O" Ring BS011	1	33-4-4	*
68	"O" Ring BS220	1	33-4-10	*
69	Fuel Tank Top/Dry Break Body Seal	1	832-15-10	*
70	Avery Hardel Coupling	1	8-31-12	
71	Avery Hardel Flange	1	822-15-08	
72	Fuel Breather Valve Top	1	802-15-07	
73	Fuel Breather Valve Bottom	1	802-15-06	
74	Fuel Breather Valve Ball	1	8-4-13	
75	1/8" BSP Banjo (46462)	1	8-26-2	
76	Fuel Filler Neck/Return Block	1	812-15-04	

"T" = Total Assembly Piece. "*" = Piece Is Part Of Total Assembly

OIL SYSTEM

	DESCRIPTION	QTY.	PART NUMBER	
1	Oil Tank 6.26.01	1	85B-14-06	
2	Oil Tank Tower	1	85B-14-24	
3	Oil Tower Top "O" Ring BS643	1	33-3-7	
4	Oil Tower Bottom "O" Ring BS153	1	33-3-8	
5	Tank Filler Cap	1	722-18-11	
6	"O" Ring BS 224	1	33-4-1	
7	Oil Tank Inlet Flange	1	86B-14-24	
8	"O" Ring BS126	1	33-1-6	
9	Oil Tank Filter Housing	1	85B-14-13	
10	Oil Tank Filter Gauze	1	85B-14-12	
11	"O" Ring BS126	2	33-1-6	
12	Oil Tank Outlet Flange	1	86B-14-08	
13	Oil Tank Core Plug 1-1/4" OD	4	8-43-13	
14	1-5/16" Core Plug	1	8-31-15	
15	Oil Tank Core Plug 1-3/8" OD	2	8-32-1	
16	Lower Wishbone Front Mounting Sleeve	2	842-02-33	
17	Anti-Rotation Pin	2	82G-16-21	
18	Nose Piece	1	85B-16-31	
19	"O" Ring BS125	2	33-4-3	
20	Clutch Release Piston	1	822-16-06	
21	Clutch Piston Seal (Large)	1	8-24-3	
22	Clutch Piston Seal (Small)	1	8-24-5	
23	Clutch Release Bearing	1	18-5-8	
CLUTCH FEED ASSEMBLY				T
24	Bundy Pipe 7/16" UNF Male Fitting	2	7-8-7	
25	Clutch Feed Bundy Pipe 1/4" OD	2	7-3-1	*
26	"O" Ring BS110	2	33-5-4	*
27	Clutch Feed Inlet Adaptor	2	822-25-01	*
28	Oil Tank/Gearbox Stud	7	86A-23-08	
29	Oil Tank/Engine Alloy Pipe	1	86A-14-03	
30	7/8" ID Oil Hose (per foot)	2	10-3-4	
31	Oil Pipe Hose Clip 20-32	4	25-2-6	
32	DFV Oil Inlet Adaptor	1	85B-14-02	
33	"O" Ring BS117	1	33-1-8	
34	Oil Cooler 25 Row	1	86B-14-03	
35	Oil Cooler Mounting Spacer	2	86A-14-02	

DASH FIRE & ELECTRIC

	DESCRIPTION	QTY.	PART NUMBER
1	Dash Panel	1	85B-01-58
2	Dash Panel Spacer	1	85C-12-81
3	5MM Male Rubber Mount	4	31-1-1
4	Fire Nozzle	1	82G-01-127
5	Fire Nozzle Lock Nut	1	82G-01-128
6	Engine Bay Fire Nozzle	1	842-22-01
7	Electrical Tacho 230-0510-8	1	34-3-10
8	Dual Gauge 8FT PT1014B8	1	34-3-8
9	Dual Gauge 8FT PT1612B8	1	34-3-9
10	Battery (Red Top Varley)	1	9-20-1
11	Battery Box	1	86A-28-01
12	Battery Bracket Top	1	86A-28-02
13	Wiring Loom	1	86A-28-07
14	Alternator Light Resistor	1	9-17-6
15	Master Switch 8825-B140/268446	2	9-11-4
16	Toggle Switch	3	9-1-12
17	Button Switch	2	9-1-2
18	Rear Light	1	9-9-7
19	Rear Light Bulb 12V	1	9-14-3
20	Oil Press Switch WS14 40-60LB	1	9-19-9
21	Orange Light	1	9-9-6
22	Fire Power Pack	1	29-1-6
23	Fire Power Pack Bracket	1	82C-01-10
24	Bowden Inner Cable	1	8-2-2
25	Fire Pull Cable Red Sleeve	1	8-18-13
26	Bowden Cable Nipple	1	8-43-6
27	Master Switch Bracket	1	822-01-91
28	9/16" x 1/4" x 1/16" Grommet	2	31-3-2
29	Mounting Grommet Spacer	2	8-20-7
30	2-Way Receptacle Housing	4	9-2-14
31	2-Way Tab Housing	4	9-2-15
32	Fire Pack 3-Pin Plug	4	29-5-2
33	Single Terminal Housing Male	1	9-7-11
34	Single Terminal Housing Female	1	9-7-12
35	16 Gauge Rachem Wire (per foot)	40	9-18-10
36	18 Gauge Rachem Wire (per foot)	60	9-18-7
37	22 Gauge Rachem Wire (per foot)	40	9-18-9
38	Fuel Pump Electrical Wire KPL50/16	10	9-11-3
39	MAP/AIR Intake Sensor Bracket	1	86A-28-05
40	MAP Sensor Bracket	1	86A-28-06
41	Alternator Resistor Bracket	1	86A-28-04
42	Fuel Injector Module Bracket	1	86A-15-06
43	Spark Box Heat Shield	1	86A-12-06

HYDRAULICS

** = All Items Listed Are Not In Photo

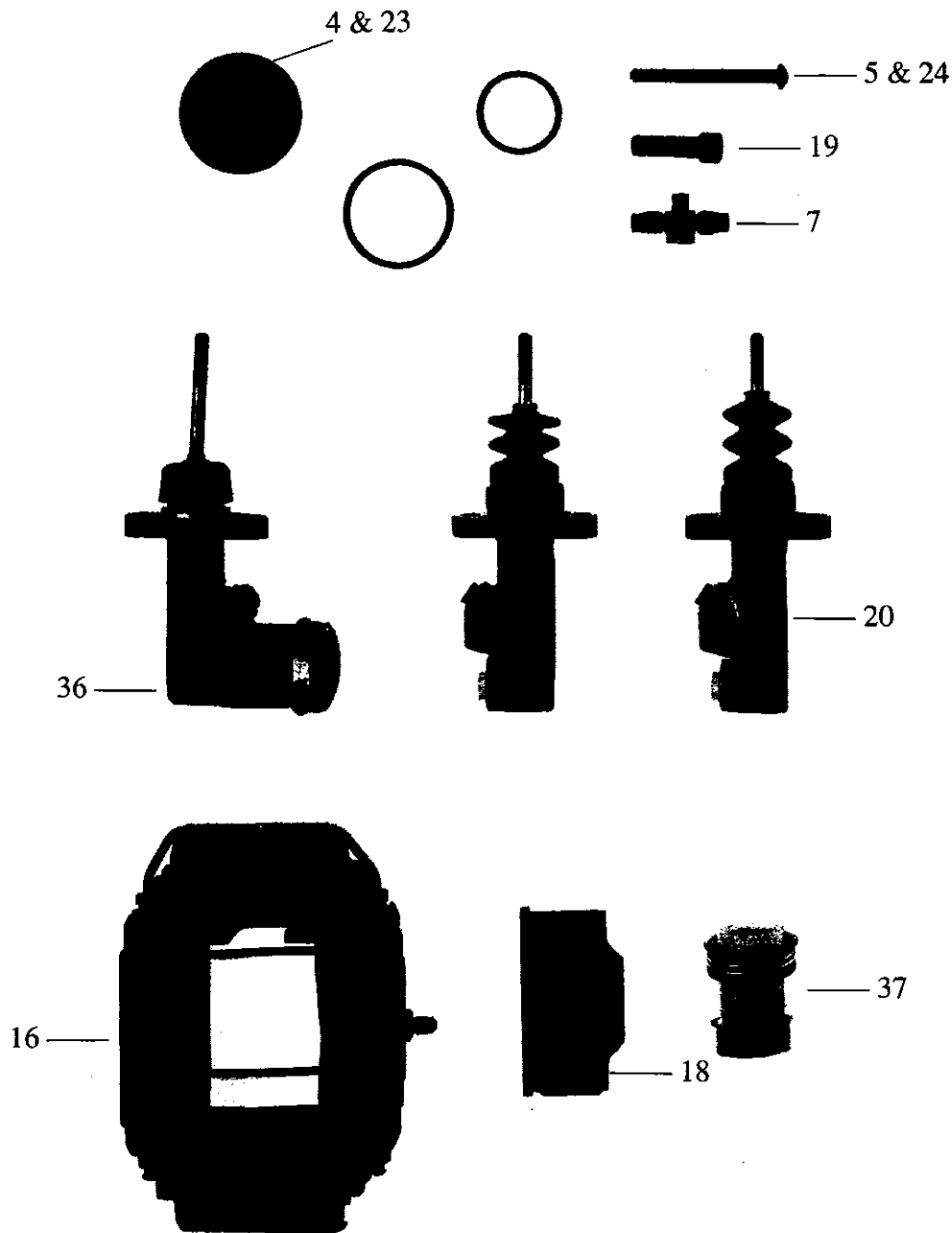


PHOTO NO. **	DESCRIPTION	QTY.	PART NUMBER	
FRONT MASTER CYLINDER ASSEMBLY				T
1	0.75" Diameter Master Cylinder	1	7-3-14	*
2	Master Cylinder Reservoir	1	7-3-13	*
3	7/16" ID Dowty Seal	1	20-3-7	*
4	Master Cylinder Diaphragm	1	7-7-12	*

HYDRAULICS (continued)

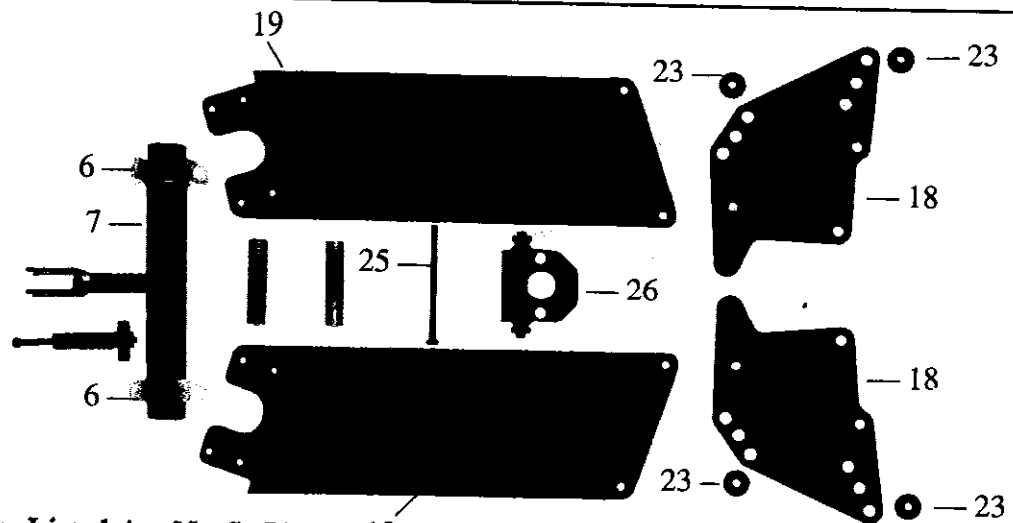
PHOTO NO.**	DESCRIPTION	QTY.	PART NUMBER	
FRONT MASTER CYLINDER ASSEMBLY				T
5	Master Cylinder Push Rod 3.25"	1	7-1-7	
6	Brake Master Cylinder Rubber	1	7-2-7	
7	Double Banjo 979-03P	1	21-12-4	
8	Banjo Bolt (long 25MM) 775-3P	1	21-12-13	
9	7/16" ID Copper Washer	1	20-4-3	
10	3/8" ID Copper Washer	1	20-2-14	
11	-3 STR Aeroquip Union	2	21-1-1	
12	-3 Aeroquip Hose (per foot)	6	21-2-7	
13	-3 x 90 DEG Aeroquip Union	2	21-1-3	
14	1/8 BSP x 3/8" UNF Adaptor	2	732-06-18	
15	3/8 Copper Washer	2	20-2-13	
16	Caliper R.H. Alcon	3	7-15-14	
17	Caliper L.H. Alcon	2	7-15-15	
18	Alcon Brake Pad	8	7-16-7	
19	Caliper Mounting Bolt	8	12-29-3	
REAR MASTER CYLINDER ASSEMBLY				T
20	0.75" Diameter Master Cylinder	1	7-3-14	*
21	Master Cylinder Reservoir	1	7-3-13	*
22	7/16" ID Dowty Seal	1	20-3-7	*
23	Master Cylinder Diaphragm	1	7-7-12	*
24	Master Cylinder Push Rod 3.25"	1	7-1-7	
25	Brake Master Cylinder Rubber	1	7-2-7	
26	1/8" BSP x 3/8" UNF Adaptor	2	732-06-18	
27	3/8" Copper Washer	1	20-2-13	
28	-3 x 90 DEG Aeroquip Union	1	21-1-3	
29	-3 Aeroquip Hose (per foot)	10	21-2-7	
30	1/8 BSP "T" Piece	1	7-8-13	
31	-3 STR Aeroquip Union	3	21-1-1	
32	-3 Aeroquip Hose (per foot)	10	21-2-7	
33	-3 x 90 DEG Aeroquip Union	2	21-1-3	
34	1/8" BSP x 3/8" UNF Adaptor	2	732-06-18	
35	3/8" Copper Washer	2	20-2-13	
CLUTCH MASTER CYLINDER ASSEMBLY				T
36	0.75 Master Cylinder C/W Reservoir	1	7-9-9	*
37	Master Cylinder Extension	1	7-9-10	*
38	Brake Master Cylinder Rubber	1	7-2-7	
39	1/8" BSP x 3/8" UNF Adaptor	1	732-06-18	
40	-3 STR Aeroquip Union	2	21-1-1	
41	-3 x 90 DEG Aeroquip Union	2	21-1-3	
42	-3 Aeroquip Hose (per foot)	2	21-2-7	
43	-3 x 45 DEG Aeroquip Union	1	21-1-2	
44	Clutch Bleed Housing	1	802-25-01	
45	1/8" BSP Lock Nut	1	13-5-8	
46	Bleed Nipple	1	8-24-14	
47	Clutch Bleed Bracket	1	842-25-01	
48	Master Cylinder Mounting Stud	6	85B-23-24	

"T" = Total Assembly Piece. "*" = Piece Is Part Of Total Assembly

BODY WORK

	DESCRIPTION	QTY.	PART NUMBER	
1	Undertray	1	86A-12-01	
2	Nose	1	86A-12-10	
3	Nose Top Panel	1	86A-12-11	
4	Nose Box	1	86A-12-12	
5	Nose Box Top Mounting Bracket	2	86A-12-13	
6	Nose Box Lower Mounting Bracket L.H.	1	86A-12-14	
7	Nose Box Lower Mounting Bracket R.H.	1	86A-12-15	
8	Damper Cover Panel	1	11-23-7	
9	Side Panel L.H.	1	11-23-5	
10	Side Panel R.H.	1	11-23-4	
11	Inlet Duct L.H.	1	86A-12-03	
12	Inlet Duct R.H.	1	86A-12-04	
13	Oil Cooler Inlet Duct	1	86A-12-08	
14	Oil Cooler Exit Louvre	1	86B-14-05	
15	Engine cover	1	11-23-6	
16	Undertray Front Flange	2	85B-13-93	
17	Monocoque Rubbing Strip	1	85B-01-66	
18	Front Body Strut	2	85B-12-80	
19	Front Strut Top Bracket	2	85B-12-95	
20	Front/Med Lower Strut Bracket	4	85B-12-84	
21	Med Body Strut	2	86A-12-07	
22	Rear Body Strut	2	85B-12-83	
23	Rear Strut Top Clevis	1	85B-12-89	
24	Rear Strut Lower Bracket	2	85B-12-82	
25	Rear Strut Lower Bracket Strap	2	85B-12-145	
26	Rod End Joint (M) RMP4U	4	15-1-1	
27	Rod End Joint (M L.H.) RMLP4U	6	15-8-14	
28	Body Strut Joint Insert	16	85B-19-01	
29	Undertray/Gearbox Adaptor	2	85B-12-87	
30	Undertray C/Sunk Washer 3/16"	45	832-12-22	
31	Engine Cover Front Bracket	2	85B-12-146	
32	Engine Cover Rear Bracket	2	85B-12-86	
33	Nose Mounting Stud	6	85B-12-86	
MIRROR ASSEMBLY				T
34	Mirror Body	2	842-12-18	*
35	Mirror Reflector Mounting	2	842-12-19	*
36	Mirror Mounting Boss	2	82C-12-08	*
37	Mirror Stem	2	82C-12-26	*
38	Mirror Glass	2	11-20-2	*
39	RMP4U Mirror Mounting Joint	2	782-12-25	*

WINGS

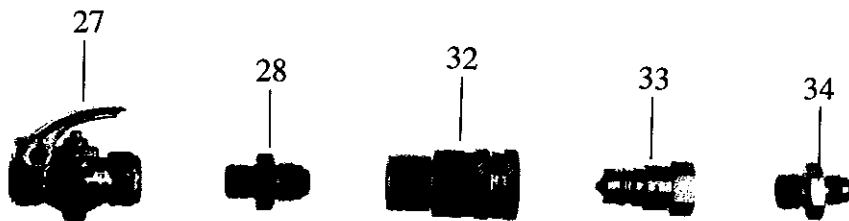
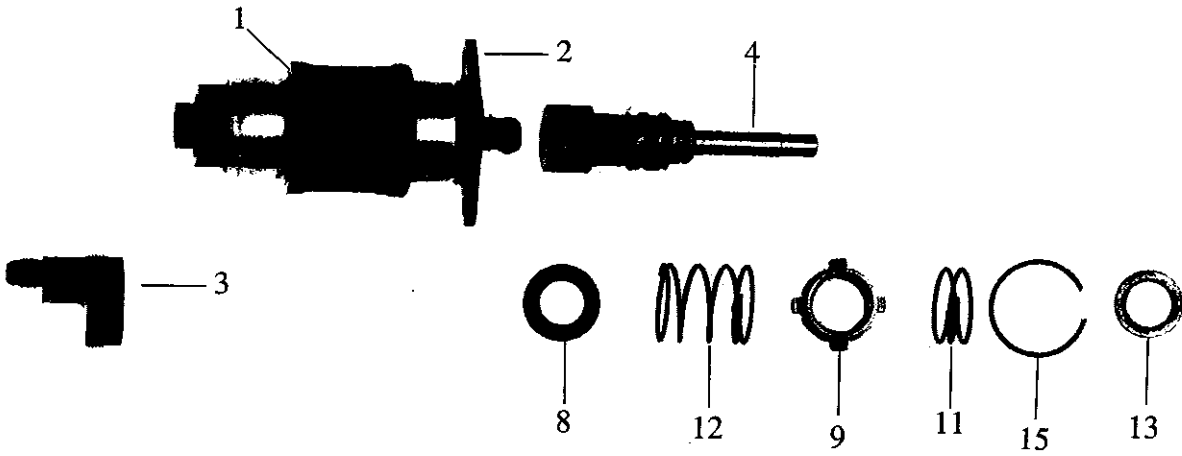
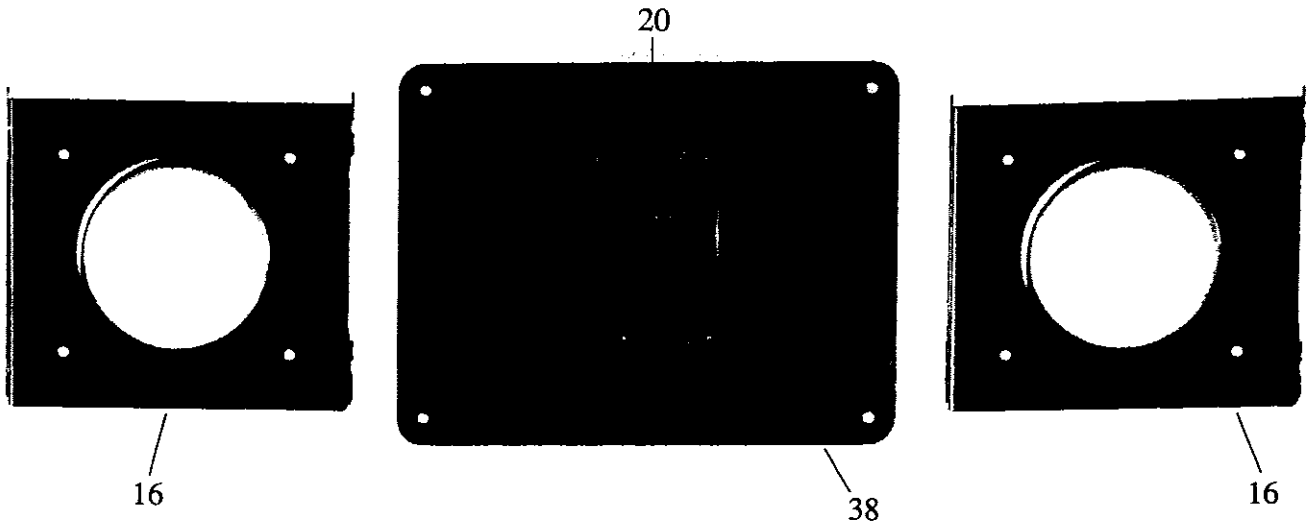
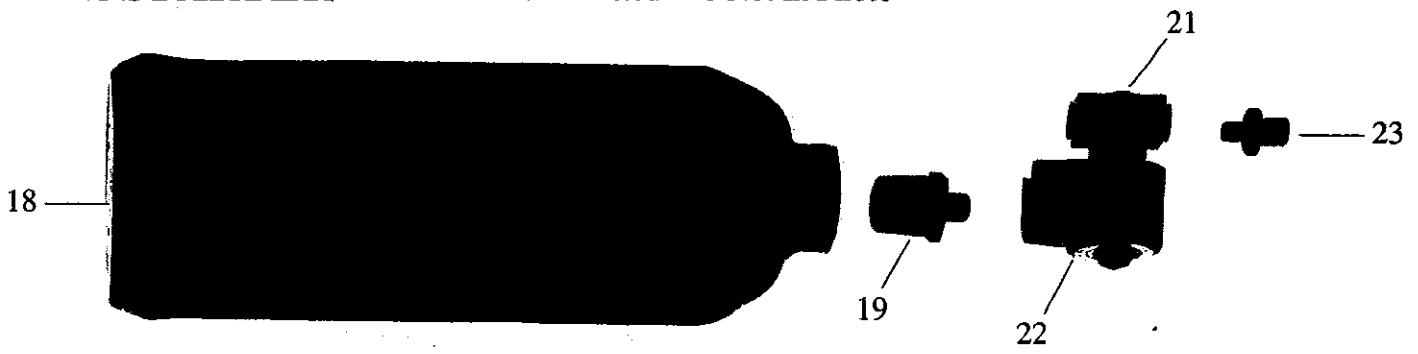


** = All Items Listed Are Not In Photo 19

PHOTO NO. **	DESCRIPTION	QTY.	PART NUMBER	
FRONT WING ASSEMBLY				T
1	Fire Fly Front Wing 9.5" R/H	1	85B-12-67	*
2	Fire Fly Front Wing 9.5" L/H	1	85B-12-68	*
3	Fire Fly Front Wing Flap R/H	1	85B-12-69	*
4	Fire Fly Front Wind Flap L/H	1	85B-12-70	*
5	Fire Fly 9.5" End Plate	2	84C-12-175	*
6	Front Wing Pivot Block	2	86A-12-17	
7	Front Wing Pivot Tube	1	86A-12-16	
8	Front Wing Tube "R" Clip	2	86A-12-18	
9	Spherical Joint ABWT 4	1	15-8-10	
10	Circlip 1308-62	1	23-8-6	
MAIN PLANE ASSEMBLY				T
11	Rear Wing Mainplane	1	85B-12-58	*
12	Rear Wing Med Flap	1	85B-12-60	*
13	Rear Wing Rear Flap	1	85B-12-61	*
14	Rear Gurney Flap Lip 0.88"	1	85B-12-76	
15	Rear Gurney Flap Lip 1.38"	1	85B-12-77	
16	Rear Wing End Plates	2	85B-12-65	*
WING PILLAR ASSEMBLY				T
17	Rear Wing Pillar	1	85B-12-62	*
18	Wing Pillar Mounting Plate	2	86A-12-02	
19	Wing Pillar Sandwich Plate	2	85B-12-56	
20	Wing Pillar Mounting Bush	2	842-12-01	*
21	5/16" x 5/8" x 31/32" Met Bush	4	31-2-2	*
22	Wing Pillar Silent Block Spacer	2	842-12-03	*
23	Wing Pillar Mounting Plate Insert	4	802-12-11	
24	Wing Pillar Mounting Plate Washer	8	802-20-28	
25	4-3/4" x 5/16" UNF Hex Bolt	2	12-12-11	
26	Rear Light Bracket	1	842-12-04	
27	5MM Male Rubber Mount	2	31-1-1	
28	4-1/2" x 1/4" UNF Hex Bolt	1	12-11-15	
29	Wing Pylon Plates	2	86A-12-28	*

"T" = Total Assembly Piece. "*" = Piece Is Part Of Total Assembly

AIR STARTER ** = All Items Listed Are Not In Photo



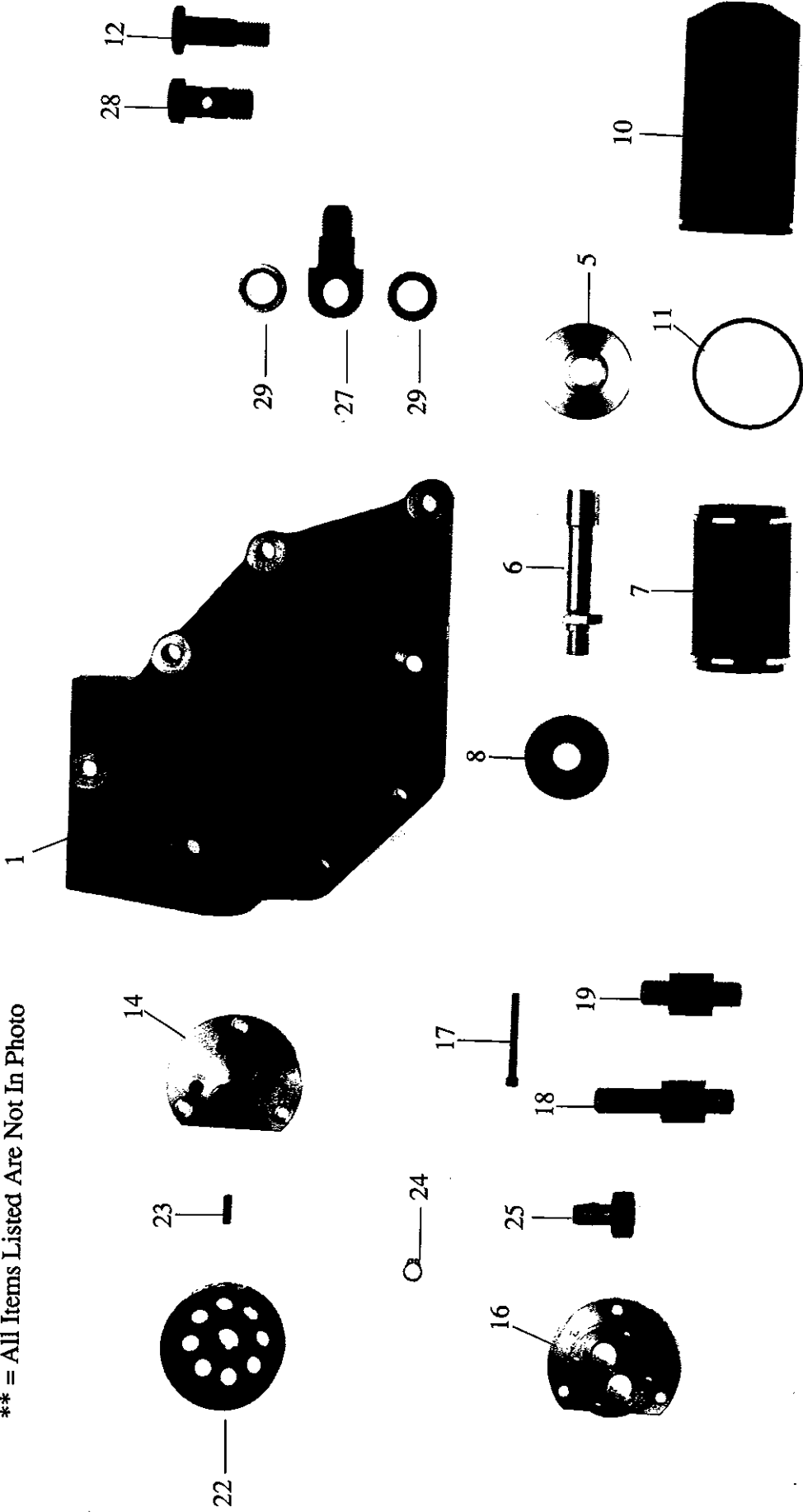
AIR STARTER

PHOTO NO.**	DESCRIPTION	QTY.	PART NUMBER	
1	Air Motor SRBM-Z-3000	1	8-45-7	
2	Air Motor Mounting	1	85B-24-02	
3	Air Moter Inlet Adaptor	1	85B-24-03	
4	Bendix Shaft	1	86A-16-11	
5	9T Pinion (Lucas 54244242)	1	8-27-12	
BENDIX ASSEMBLY				T
6	Pinion Housing	1	822-16-40	*
7	Pinion Liner Bush	1	822-16-56	
8	Bendix Spring Retainer	1	822-16-58	*
9	Bendix Helix (Lucas 54243006)	1	8-42-6	*
10	Bendix Sleeve (Lucas 54243006)	1	8-42-7	*
11	Bendix Spring (Lucas 54258243)	1	8-27-15	*
12	Pinion Spring (Lucas 54258243)	1	8-28-1	*
13	Thrust Washer (Lucas 54258243)	1	8-28-2	*
14	Shaft Circlip (Lucas 54258243)	1	8-28-3	*
15	Pinion Body Circlip M2300 0400	1	8-28-4	*
16	Air Bottle Mounting Bracket	2	832-01-77	
17	Clip 80-100	2	25-2-2	
18	Air Bottle (LUXFER P226BK)	1	8-28-5	
19	Air Bottle/Valve Adapter	1	822-24-15	
20	Air Bottle Mounting Bracket	1	85B-24-06	
21	Air Bottle Valve S.V. 121K04	1	8-28-6	
22	Air Bottle Coil SV 42706265	1	8-28-7	
23	Air Valve Outlet Adapter	1	822-24-14	
24	-3 x 90 DEG Aeroquip Union	1	21-1-3	
25	-3 Aeroquip Hose (per foot)	3	21-2-7	
26	-3 x 90 DEG Aeroquip Union	1	21-1-3	
27	Air Supply Valve 8936BW	1	8-28-8	
28	Air Supply Valve Adaptor 2063.6-8	3	8-28-9	
29	-8 STR Aeroquip Union	1	84-1-1	
30	-8 Aeroquip Hose (per foot)	2	21-2-10	
31	-8 STR Aeroquip Union	1	84-1-1	
32	Air Supply Socket B5601-6-6	1	8-28-10	
33	Air Supply Plug B5602-6-6	2	8-28-12	
34	Air Supply Plug Adaptor 2063.6-6	1	8-28-11	
35	-6 x 45 DEG Aeroquip Union	1	83-1-3	
36	-6 Aeroquip Hose (per foot)	3	21-2-9	
37	-6 x 90 DEG Aeroquip Union	1	83-1-7	
38	Air Bottle Mounting Plate	1	86A-01-25	

"T" = Total Assembly Piece. "*" = Piece Is Part Of Total Assembly

END COVER ASSEMBLY

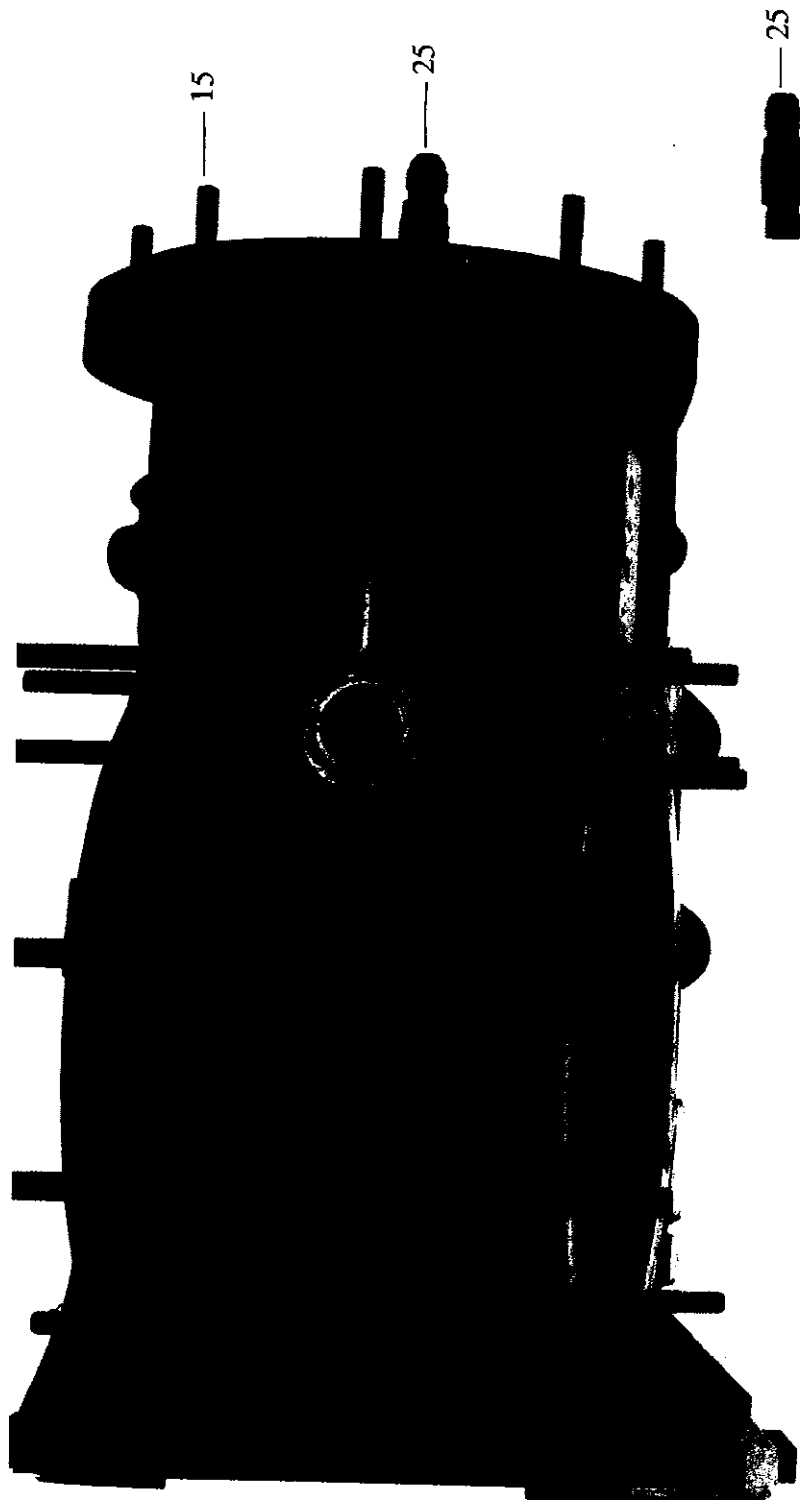
** = All Items Listed Are Not In Photo



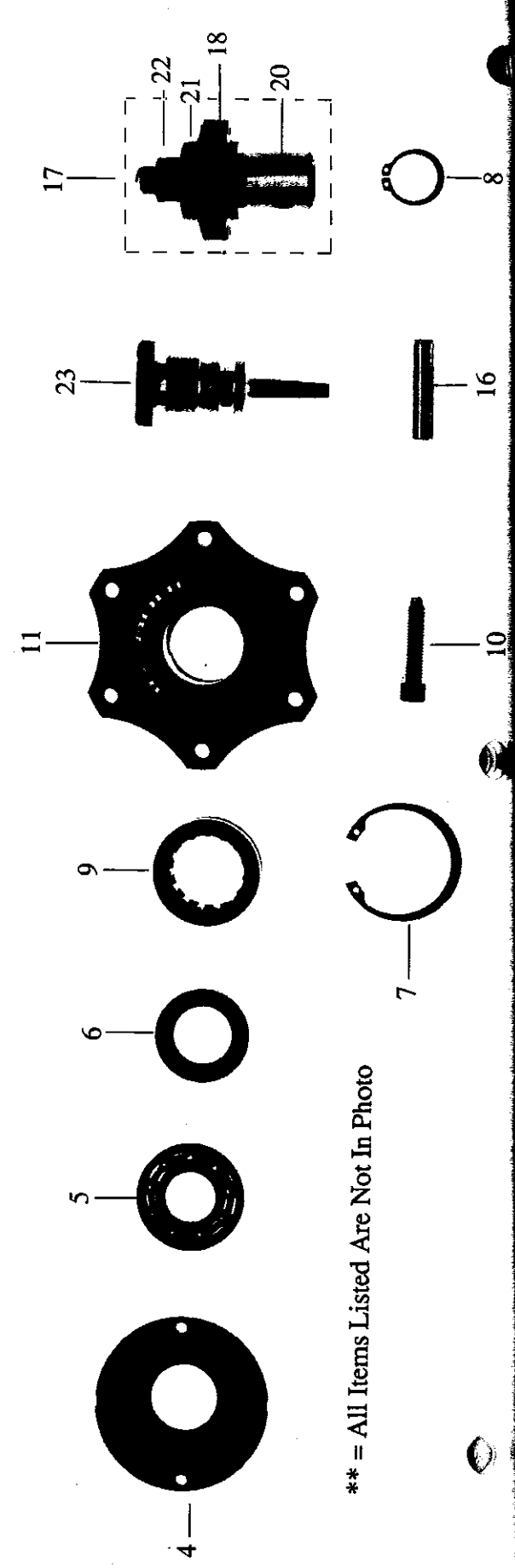
END COVER ASSEMBLY

PHOTO NO.**	DESCRIPTION	QTY.	PART NUMBER	
1	End Cover	1	842-16-01	*
2	End Cover Bung	1	753-15-06	*
3	End Cover Retaining Nut	7	FT-2013	
4	End Cover Washer	7	FT-2027	
5	Oil Filter Spindle Washer	1	802-16-22	*
6	Oil Filter Spindle	1	802-16-24	*
7	Oil Filter Element	1	18-20-13	*
8	Oil Filter Washer	1	771-16-38	*
9	Oil Filter Spring	1	16-6-2	*
10	Oil Filter Bowl	1	812-16-41	*
11	"O" Ring BS.032	1	33-5-14	*
12	Oil Filter Bowl Retaining Bolt	1	802-16-23	*
13	"O" Ring BS 012	1	33-1-11	*
14	GEARBOX OIL PUMP ASSEMBLY		FGA-6265	T
15	Oil Pump Body	1	FGA-62652	**
16	Oil Pump End Cover	1	FGA-62652A	**
17	Oil Pump Body Retaining Screw	1	FGA-26510	**
18	Oil Pump Driving Rotor	1	DG-2657	**
19	Oil Pump Idler Rotor	1	DG-2655	**
20	Oil Pump Front Cover	1	FGA-62653	**
21	Oil Pump Retaining Screw	3	DG-2651	**
22	Gearbox Oil Pump Drive Gear	1	FT-2657	**
23	Gearbox Oil Pump Drive Key	1	DG-2656	**
24	Gearbox Oil Pump Drive Circlip	1	DG-2658	**
	END COVER ASSEMBLY		18-25-6	T
25	LayShaft Oil Pump Gear	1	FT-2659	*
26	Oil Pump Inlet Gauze	1	85B-16-53	*
27	Oil Pump Outlet Banjo	1	792-16-10	*
28	Oil Pump Banjo Bolt	1	792-16-11	*
29	9/16 ID Dowty Seal	2	20-3-3	
30	Mounting Dowel	4	85B-20-07	
31	-6 x 45 DEG Aeroquip Union	1	21-1-8	
32	-6 x 90 DEG Aeroquip Union	1	21-1-9	
33	-6 Aeroquip Hose	1	21-2-9	

** = Pieces Included in End Cover Assembly (T). *** = Pieces Included In Gearbox Oil Pump Assembly (T)



25



** = All Items Listed Are Not In Photo

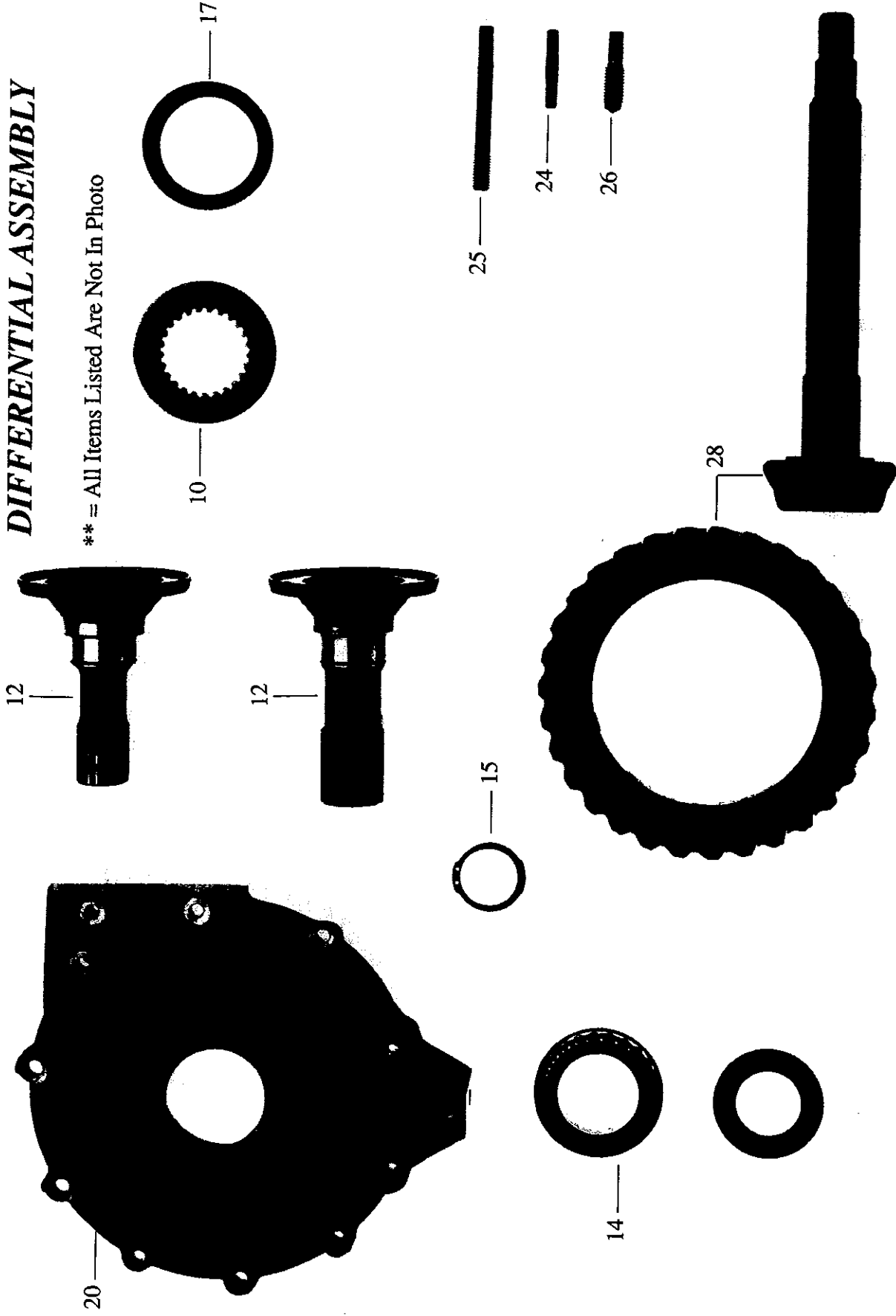
MAINCASE

PHOTO NO. **	DESCRIPTION	QTY.	PART NUMBER	
1	FGB Gearbox	0	18-26-3	
2	Gearbox Maincase	1	85B-16-23	
3	Clutch Shaft	1	86A-16-10	
4	Clutch Shaft Bearing Housing	1	85B-16-52	
5	Clutch Shaft Support Bearing	1	18-20-2	
6	Clutch Shaft Housing Seal	1	FT-24411A	
7	Clutch Shaft Housing Circlip	1	18-23-13	
8	Clutch Shaft Circlip	1	18-23-14	
9	Bearing	1	FT-2291	
10	Retaining Bolt Layshaft Nose Bearing	1	FT-2342	
11	Pinion Bearing Assembly	1	TL2-2221	
12	Pinion Bearing Shim .003"-.020"	0	FGB-2253	
13	Retaining Bolt	6	12-30-5	
14	Pinion Bearing Tab Washer	3	FGB-2252	
15	Maincase To Bearing Carrier Stud	9	FT-2014	
16	Solid Dowel	1	FT-2015	
17	REVERSE IDLER COMPLETE	1	FT-237	T
18	Reverse Idler Gear	1	FT-2371	*
19	Reverse Idler Gear Bearing	1	FT-2372	*
20	Reverse Idler Spigot	1	FT-2373	*
21	Reverse Idler Washer	1	FT-2374	*
22	Reverse Idler Nut	1	FT-2375	*
23	Pinion Spray Tube	1	FGB-2017	
24	Dowty Seal	1	20-4-12	
24	Oilway Plug	1	18-25-10	
25	Oil Union Dowel	1	FGB-2015	

"T" = Total Assembly Piece. "*" = Piece Is Part Of Total Assembly

DIFFERENTIAL ASSEMBLY

** = All Items Listed Are Not In Photo

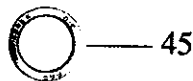
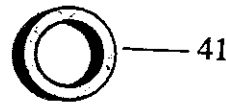
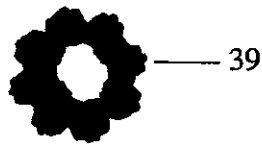
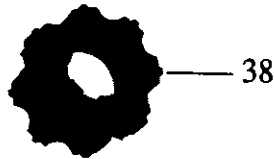
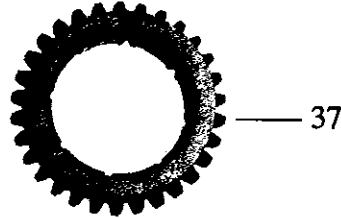
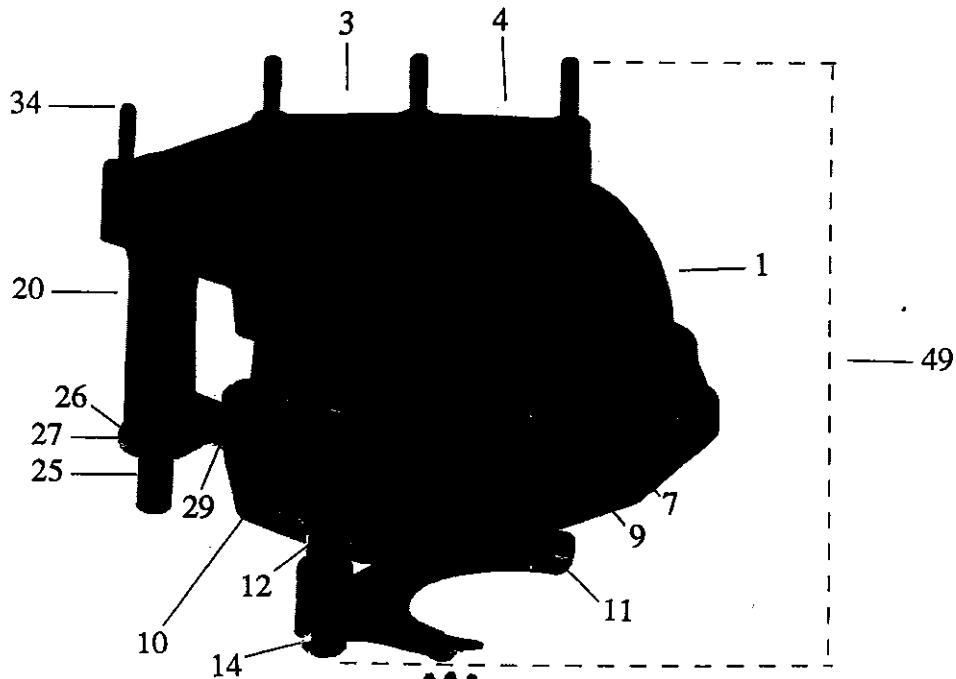


DIFFERENTIAL ASSEMBLY

PHOTO NO. **	DESCRIPTION	QTY.	PART NUMBER
DIFFERENTIAL ASSEMBLY			18-25-4 T
1	Differential Housing	1	DGB-213
2	Differential End Cap	1	DGB-214
3	Side Gear Ramp 45 x 45	2	FGB-2137
4	Side Gear Ramp 30 x 60 RH	2	FGB-2137A
5	Side Gear Ramp 45 x 90 LH	1	84C-16-125
6	Side Gear Ramp 45 x 90 RH	1	84C-16-126
7	Planet Gear	4	18-19-11
8	Side Gear	2	LG-2136
9	Powerlock Clutch With Lugs	4	18-19-7
10	Powerlock Clutch With Splines	4	18-19-8
11	Powerlock Shim (0.003" - 0.020")	0	84C-16-21
12	Output Flange	2	86B-16-03
13	Output Flange-Torsen Differential	2	85B-16-35
14	Output Flange Bearing	2	18-25-8
15	Output Flange Bearing Circlip	2	DG-2191A
16	Bearing Spacer LH	1	85B-16-47
17	Bearing Spacer RH	1	85B-16-48
18	Sideplate Shim .003"-.020"	0	FT-2061
19	Differential Carrier Bearing	2	18-25-9
20	Sideplate LH	1	86B-16-01
21	Sideplate RH	1	86B-16-02
22	Top Retaining Stud	2	FGB-2014A
23	Retaining Stud Long 3/8"	2	85B-23-14
24	Stud	8	842-16-36
25	Stud	4	85B-16-49
26	Stud	2	85B-16-50
27	Retaining Bolt	12	12-30-5
28	10:31 Crown Wheel & Pinion	1	FGB-221C
29	Crownwheel Bolt	10	84C-16-13
30	Crownwheel Bolt Washer	10	85B-16-46

"T" = Total Assembly Piece. "***" = Piece Is Part Of Total Assembly

BEARING CARRIER ASSEMBLY ** = All Items Listed Are Not In Photo



BEARING CARRIER ASSEMBLY

PHOTO NO.**	DESCRIPTION	QTY.	PART NUMBER	
BEARING CARRIER ASSEMBLY			18-25-5	T
1	Bearing Carrier	1	FGB-202	*
2	Bearing Carrier Mods	0	782-16-25	
3	Bearing	1	FT-2291	*
4	Layshaft Tail Bearing	1	FT-2343	*
5	Bearing Retaining Screw	2	FT-2293	*
6	Clutch Ring	2	DG-232	
7	1st/Rev Selector Fork	1	FGB-249	*
8	1st/Rev Selector Rod	1	FT-246	*
9	2nd/3rd Selector Fork	1	FT-250	*
10	2nd/3rd Selector Rod	1	FT-247	*
11	4th/5th Selector Fork	1	FT-251	*
12	4th/5th Selector Rod	1	FT-248	*
13	Selector Rod Shim .070"-.185"	3	FT-2463	*
14	Selector Fork Retaining Nut	3	FT-2462	*
15	Detent Ball Bearing	6	18-21-7	*
16	Selector Rod Detent Spring	6	FT-2022	*
17	Selector Rod Detent Screw	3	FT-2023	*
18	Interlock	2	FT-2024	*
19	Plug	1	FT-2028	*
20	Selector Finger Housing	1	FT-203	
21	Selector Finger Housing Mods	0	782-16-26	
22	Breather Banjo Bolt	1	18-20-6	
23	Breather Banjo	1	18-20-7	
24	5/8" ID Copper Washer	2	20-2-14	
25	Selector Finger	1	FT-252	
26	Selector Finger Bush	2	FT-2036	
27	Selector Finger Seal	1	FT-2037S	
28	Selector Finger Housing Retaining Stud	1	FT-2025	
29	Selector Finger Housing Spacer	1	FT-20310	
30	Selector Finger Housing Spacer Bolt	1	FT-20311	
31	1st/Rev Gear Plunger	1	832-16-18	
32	1st/Rev Plunger Cap	1	FT-2035	*
33	Plug	1	FT-2028	*
34	End Cover Stud	2	802-16-06	
35	End Cover Stud	5	FT-2026	
36	Gear Needle Roller	5	FT-2261	
37	1st/Rev Sliding Gear	1	FT-231	
38	1st/Rev Hub	1	FG-226	
39	2nd/3rd Hub	1	FG-227	
40	4th/5th Hub	1	FGB-228	
41	4th/5th Layshaft Spacer	1	FT-2346	
42	End Thrust And Track	1	FGB-229	
43	Pinion Shaft Nut	2	812-16-37	
44	Layshaft Nut	2	812-16-40	
45	Thrust Washer	1	FT-2345	
46	1st Gear Ratio Pair	1	FT-234	
47	2nd Gear Ratio Pair	1	FTM-1	
48	Std Gear Ratio Pair	3	FTM-2	

"T" = Total Assembly Piece. "*" = Piece Is Part Of Total Assembly

ACCESSORIES

DESCRIPTION	PART NO.
-3 Str Stainless Union	81-13-1
-3 x 45 DEG Stainless Union	81-13-7
-3 x 90 DEG Stainless Union	81-13-13
-6 STR Aeroquip Union	83-1-1
-6 x 45 DEG Aeroquip Union	83-1-3
-6 x 90 DEG Aeroquip Union	83-1-7
-8 STR Aeroquip Union	84-1-1
-8 x 45 DEG Aeroquip Union	84-1-3
-8 x 90 DEG Aeroquip Union	84-1-7
-10 STR Aeroquip Union	85-1-1
-10 x 45 DEG Aeroquip Union	85-1-3
-10 x 90 DEG Aeroquip Union	85-1-7
-12 STR Aeroquip Union	86-1-1
-12 x 45 DEG Aeroquip Union	86-1-3
-12 x 90 DEG Aeroquip Union	86-1-7
-16 STR Aeroquip Union	87-1-1
-16 x 45 DEG Aeroquip Union	87-1-5
-16 x 90 DEG Aeroquip Union	87-1-9
-6 x 180 DEG Aeroquip Union	83-2-1
-12 x 180 DEG Aeroquip Union	86-2-1
-16 x 180 DEG Aeroquip Unin	87-2-1
-3 Aeroquip Hose (per foot)	21-2-7
-4 Aeroquip Hose (per foot)	21-2-8
-6 Aeroquip Hose (per foot)	21-2-9
-8 Aeroquip Hose (per foot)	21-2-10
-10 Aeroquip Hose (per foot)	21-2-11
-12 Aeroquip Hose (per foot)	21-2-12
-16 Aeroquip Hose (per foot)	21-2-13
Bleed Nipple	8-24-14
Single Terminal Housing Male	9-7-11
Single Terminal Housing Female	9-7-12
Spark Box Plug (7 pin)	9-10-4
Spark Box Socket (7 pin)	9-10-5
Small Receptacle	9-17-12
5 Way Pin Housing	9-17-10
Male Bullet Connectors	9-16-4
5 Way Socket Housing	9-17-11
Bullet Connector Female	9-16-8
2 Way Tab Housing	9-2-15
Male Tab	9-16-10
2 Way Receptacle Housing	9-2-14
Receptacle Tabbed	9-3-1
14 Guage Rachem Wire (per foot)	9-18-6
16 Guage Rachem Wire (per foot)	9-18-10
18 Guage Rachem Wire (per foot)	9-18-7
20 Guage Rachem Wire (per foot)	9-18-8
22 Guage Rachem Wire (per foot)	9-18-9
FEPSIL 18 Cable (per metre)	8-5-2

DESCRIPTION	PART NO.
FEPSIL 22 Cable (per metre)	9-19-2
Cosworth Fuel Filter "O" Ring	33-3-15
Hylomar Liquid Gasket	26-3-9
10-32 Plastic Nut	13-1-10
10-32 Plastic Bolt	12-2-9
Araldite	26-3-3
Autosol Polish	26-1-9
Brake Fluid 1 Litre	26-2-8
Molycote Spray	26-5-9
Bearing Grease Almaguard 3752	26-5-8
Nontrop RB3 Grease	35-3-4
Q5795 CV Joint Grease 3 kg	26-4-15
Copper Slip Grease	26-5-1
1" ID Silicone Hose (per metre)	10-3-5
Socket 3 IN A.F.	8-42-12
1/8" V Thane Sheet (per square foot)	49-3-6
Tyrap Small	8-3-13
Tyrap Medium	8-3-14
Tyrap Large	8-3-15
Tyrap Mounting Block	8-4-6
Stainless Heat Shield 0.004"	61-1-3
Dalfratex Heat Shield (per metre)	8-46-3
Camloc 4002 Crosshead Screw -1	23-9-14
Camloc 4002 Crosshead Screw -2	23-9-15
Camloc 4002 Crosshead Screw -3	23-10-1
Camloc 4002 Crosshead Screw -4	23-10-2
Camloc 4002 Crosshead Screw -5	23-10-3
Camloc 4002 Crosshead Screw -6	23-10-4
Camloc 4002 Crosshead Screw -7	23-10-5
Camloc 4002 Crosshead Screw -8	23-10-6
Camloc 4002 Crosshead Screw -9	23-10-7
Camloc 4002 Crosshead Screw -10	23-10-8
Camloc 4002 Crosshead Screw -11	23-10-9
Camloc 4002 Crosshead Screw -12	23-10-10
Camloc 4002 Crosshead Screw -13	23-10-11
Camloc 4002 Crosshead Screw -14	23-10-12
Camloc 4002 Crosshead Screw -15	23-10-13
Camloc 4002 Crosshead Screw -16	23-10-14
Camloc 4002 Crosshead Screw -18	23-10-15
Camloc 4002 Crosshead Screw -20	23-11-1
Camloc 4002 Crosshead Screw -22	23-11-2
Camloc 4002 Crosshead Screw -24	23-11-3
Camloc 4002 Crosshead Screw -26	23-11-4
Camloc 4002 Crosshead Screw -28	23-11-5
Camloc 4002 Crosshead Screw -30	23-11-6
Camloc 4002 Crosshead Screw -32	23-11-7
Camloc 4002 Crosshead Screw -34	23-11-8
Camloc 4002 Crosshead Screw -36	23-11-9

ACCESSORIES

DESCRIPTION	PART NO.
Camloc 4002 Crosshead Screw -38	23-11-10
Camloc 4002 Slotted Screw -1	23-11-11
Camloc 4002 Slotted Screw -2	23-11-12
Camloc 4002 Slotted Screw -3	23-11-13
Camloc 4002 Slotted Screw -4	23-11-14
Camloc 4002 Slotted Screw -5	23-11-15
Camloc 4002 Slotted Screw -6	23-12-1
Camloc 4002 Slotted Screw -7	23-12-2
Camloc 4002 Slotted Screw -8	23-12-3
Camloc 4002 Slotted Screw -9	23-12-4
Camloc 4002 Slotted Screw -10	23-12-5
Camloc 4002 Slotted Screw -11	23-12-6
Camloc 4002 Slotted Screw -12	23-12-7
Camloc 4002 Slotted Screw -13	23-12-8
Camloc 4002 Slotted Screw -14	23-12-9
Camloc 4002 Slotted Screw -15	23-12-10
Camloc 4002 Slotted Screw -16	23-12-11
Camloc 4002 Slotted Screw -18	23-12-12
Camloc 4002 Slotted Screw -20	23-12-13
Camloc 4002 Slotted Screw -22	23-12-14
Camloc 4002 Slotted Screw -24	23-12-15
Camloc 4002 Slotted Screw -26	23-13-1
Camloc 4002 Slotted Screw -28	23-13-2
Camloc 4002 Slotted Screw -30	23-13-3
Camloc 4002 Slotted Screw -32	23-13-4
Camloc 4002 Slotted Screw -34	23-13-5
Camloc 4002 Slotted Screw -36	23-13-6
Camloc 4002 Fixed Receptacle	23-13-7
Camloc 4002 Float Receptacle	23-13-8
Camloc 4002 Grommet -250	23-13-9
Camloc 4002 Grommet -450	23-13-10
Camloc 4002 Grommet -500	23-13-11
Camloc 4002 Grommet -100	23-13-12
Camloc 4002 Grommet -130	23-13-13
Camloc 4002 Grommet -160	23-13-14
Camloc 2600 Slotted Screw -1	23-13-15
Camloc 2600 Slotted Screw -2	23-14-1
Camloc 2600 Slotted Screw -3	23-14-2
Camloc 2600 Slotted Screw -4	23-14-3
Camloc 2600 Slotted Screw -5	23-14-4
Camloc 2600 Slotted Screw -6	23-14-5
Camloc 2600 Slotted Screw -7	23-14-6
Camloc 2600 Slotted Screw -8	23-14-7
Camloc 2600 Slotted Screw -9	23-14-8
Camloc 2600 Slotted Screw -10	23-14-9
Camloc 2600 Slotted Screw -11	23-14-10
Camloc 2600 Slotted Screw -12	23-14-11
Camloc 2600 Crosshead Screw -1	23-14-12

DESCRIPTION	PART NO.
Camloc 2600 Crosshead Screw -2	23-14-13
Camloc 2600 Crosshead Screw -3	23-14-14
Camloc 2600 Crosshead Screw -4	23-14-15
Camloc 2600 Crosshead Screw -5	23-15-1
Camloc 2600 Crosshead Screw -6	23-15-2
Camloc 2600 Crosshead Screw -7	23-15-3
Camloc 2600 Crosshead Screw -8	23-15-4
Camloc 2600 Crosshead Screw -9	23-15-5
Camloc 2600 Crosshead Screw -10	23-15-6
Camloc 2600 Crosshead Screw -11	23-15-7
Camloc 2600 Crosshead Screw -12	23-15-8
Camloc 2600 Rivited Receptacle	23-15-9
Camloc 2600 Clamped Receptacle	23-15-10
Camloc 2600 Retaining Washer	23-15-11
Camloc Reinforcement	86G-12-194
Camloc Pliers	23-15-14
Lower Camloc Flanging Tool	86G-21-02
Upper Camloc Flanging Tool	86G-21-01
Delivery To Hearthrow Airport	35-3-14
Small March Packing Box	35-4-1
Large March Packing Box	35-4-2

AMERICAN RACING SERIES

Headquarters
1395 Wheaton Ave. - Suite 700
Troy, MI 48063
(313) 528-3470
FAX (313) 528-8119

1990 SCHEDULE and TELEVISION COVERAGE

The 1990 American Racing Series has added Denver, Colorado and Vancouver, Canada to the 1990 schedule. These new events combined with the returning venues promise an explosive package for 1990. The ARS continues to be one of only three national series' to have all of their events televised on national and/or cable networks. The ARS joins CART and NASCAR in this category.

DATE	LOCATION	LENGTH/TRACK	NETWORK
Sat. April 7	Phoenix International Raceway Phoenix, AZ	1 Mile Oval	ESPN/AFRTS
Sun. April 22	Long Beach Grand Prix Long Beach, CA	1.67 Mile Road	ESPN/AFRTS
Sun. June 3	Wisconsin State Fair Park West Allis, WI	1 Mile Oval	ESPN/AFRTS
Sun. June 17	Detroit Grand Prix Detroit, MI	2.5 Mile Road	ESPN/AFRTS
Sun. June 24	Portland International Raceway Portland, OR	1.915 Mile Road	ESPN/AFRTS
Sun. July 8	Burke Lakefront Airport Cleveland, OH	2.48 Mile Road	ESPN/AFRTS
Sun. July 15	Meadowlands Sports Complex East Rutherford, NJ	1.2 Mile Temp Road	ESPN/Univision/AFRTS
Sun. July 22	Canadian National Exhibition Toronto, ONT	1.78 Mile Temp Road	ESPN/AFRTS
Sun. Aug. 26	Denver Grand Prix Denver, CO	1.9 Mile Temp Road	ESPN/AFRTS
Sun. Sept. 2	Vancouver Grand Prix Vancouver, B.C.	1.7 Mile Temp Road	ESPN/AFRTS
Sun. Sept. 16	Mid-Ohio Sports Car Course Lexington, OH	2.4 Mile Road	ESPN/AFRTS
Sun. Sept. 23	Road America Elkhart Lake, WI	4 Mile Road	ESPN/AFRTS
Sun. Oct. 7	Pennsylvania International Raceway Nazareth, PA	1 Mile Oval	ESPN/Univision/AFRTS
Sun. Oct 21	Laguna Seca Raceway Monterey, CA	1.9 Mile Road	ESPN/Univision/AFRTS

All Races will be on a tape-delayed basis with play dates and time slots to be announced.

* The "Triple Crown" events will be telecast as part of a special package on Univision on three consecutive weekends in November.

All races are 75 miles in length except Phoenix and Milwaukee, races at 100 miles each.

*AFRTS - Armed Forces Radio & Television Service.